



## Quick Start Guide



Scan the QR code with the EZVIZ App  
to add the device to your account.  
Please keep it for further reference.



COPYRIGHT © Hangzhou EZVIZ Software Co., Ltd.. ALL RIGHTS RESERVED.

Any and all information, including, among others, wordings, pictures, graphs are the properties of Hangzhou EZVIZ Software Co., Ltd. (hereinafter referred to as “EZVIZ”). This user manual (hereinafter referred to as “the Manual”) cannot be reproduced, changed, translated, or distributed, partially or wholly, by any means, without the prior written permission of EZVIZ. Unless otherwise stipulated, EZVIZ does not make any warranties, guarantees or representations, express or implied, regarding to the Manual.



### **About this Manual**

The Manual includes instructions for using and managing the product. Pictures, charts, images and all other information hereinafter are for description and explanation only. The information contained in the Manual is subject to change, without notice, due to firmware updates or other reasons. Please find the latest version in the EZVIZ™ website (<http://www.ezvizlife.com>).

### **Revision Record**

New release – January, 2019

### **Trademarks Acknowledgement**

 EZVIZ™, ™, and other EZVIZ's trademarks and logos are the properties of EZVIZ in various jurisdictions. Other trademarks and logos mentioned below are the properties of their respective owners.

### **Legal Disclaimer**

TO THE MAXIMUM EXTENT PERMITTED BY APPLICABLE LAW, THE PRODUCT DESCRIBED, WITH ITS HARDWARE, SOFTWARE AND FIRMWARE, IS PROVIDED “AS IS”, WITH ALL FAULTS AND ERRORS, AND EZVIZ MAKES NO WARRANTIES, EXPRESS OR IMPLIED, INCLUDING WITHOUT LIMITATION, MERCHANTABILITY, SATISFACTORY QUALITY, FITNESS FOR A PARTICULAR PURPOSE, AND NON-INFRINGEMENT OF THIRD PARTY. IN NO EVENT WILL EZVIZ, ITS DIRECTORS, OFFICERS, EMPLOYEES, OR AGENTS BE LIABLE TO YOU FOR ANY SPECIAL, CONSEQUENTIAL, INCIDENTAL, OR INDIRECT DAMAGES, INCLUDING, AMONG OTHERS, DAMAGES FOR LOSS OF BUSINESS PROFITS, BUSINESS INTERRUPTION, OR LOSS OF DATA OR DOCUMENTATION, IN CONNECTION WITH THE USE OF THIS PRODUCT, EVEN IF EZVIZ HAS BEEN ADVISED OF THE POSSIBILITY OF SUCH DAMAGES.

TO THE MAXIMUM EXTENT PERMITTED BY APPLICABLE LAW, IN NO EVENT SHALL EZVIZ'S TOTAL LIABILITY FOR ALL DAMAGES EXCEED THE ORIGINAL PURCHASE PRICE OF THE PRODUCT.

EZVIZ DOES NOT UNDERTAKE ANY LIABILITY FOR PERSONAL INJURY OR PROPERTY DAMAGE AS THE RESULT OF PRODUCT INTERRUPTION OR SERVICE TERMINATION CAUSED BY: A) IMPROPER INSTALLATION OR USAGE OTHER THAN AS REQUESTED; B) THE PROTECTION OF NATIONAL OR PUBLIC INTERESTS; C) FORCE MAJEURE; D) YOURSELF OR THE THIRD PARTY, INCLUDING WITHOUT LIMITATION, USING ANY THIRD PARTY'S PRODUCTS, SOFTWARE, APPLICATIONS, AND AMONG OTHERS.

REGARDING TO THE PRODUCT WITH INTERNET ACCESS, THE USE OF PRODUCT SHALL BE WHOLLY AT YOUR OWN RISKS. EZVIZ SHALL NOT TAKE ANY RESPONSIBILITIES FOR ABNORMAL OPERATION, PRIVACY LEAKAGE OR OTHER DAMAGES RESULTING FROM CYBER ATTACK, HACKER ATTACK, VIRUS INSPECTION, OR OTHER INTERNET SECURITY RISKS; HOWEVER, EZVIZ WILL PROVIDE TIMELY TECHNICAL SUPPORT IF REQUIRED. SURVEILLANCE LAWS AND DATA PROTECTION LAWS VARY BY JURISDICTION. PLEASE CHECK ALL RELEVANT LAWS IN YOUR JURISDICTION BEFORE USING THIS PRODUCT IN ORDER TO ENSURE THAT YOUR USE CONFORMS TO THE APPLICABLE LAW. EZVIZ SHALL NOT BE LIABLE IN THE EVENT THAT THIS PRODUCT IS USED WITH ILLEGITIMATE PURPOSES.

IN THE EVENT OF ANY CONFLICTS BETWEEN THE ABOVE AND THE APPLICABLE LAW, THE LATTER PREVAILS.

Гарантийный срок-1 год

Срок службы-3 года



Производитель:Ханджоу Хиквижн Диджитал Технолоджи(Китай)

Импортер-поставщик в России: ЗАО "Хиквижн"

Импортер-поставщик в Республике Беларусь:ООО "Торговый Дом "АВАНТ-ТЕХНО"

Сайт:www.ezviz.ru

### **Safety Instruction**

**Due to the product shape and dimension, the name and address of the importer/manufacturer are printed on the package.**

### **Customer Service**

**For more information, please visit [www.ezvizlife.com](http://www.ezvizlife.com).**

**Need help? Please visit "[www.ezvizlife.com/inter/page/contact-us](http://www.ezvizlife.com/inter/page/contact-us)" for our local contact details.**

**SAVE THIS MANUAL FOR FUTURE REFERENCE**

DERECHOS DE AUTOR © Hangzhou EZVIZ Software Co., Ltd. TODOS LOS DERECHOS RESERVADOS.

Toda la información, incluyendo, textos, imágenes, gráficos, entre otros, son propiedad de Hangzhou EZVIZ Software Co., Ltd. (en lo sucesivo, "EZVIZ"). Este manual del usuario (en lo sucesivo, "el Manual") no se puede reproducir, cambiar, traducir o distribuir, parcial o totalmente, por ningún medio, sin el permiso previo por escrito de EZVIZ. Salvo que se disponga lo contrario, EZVIZ no garantiza, ni realiza declaraciones de ningún tipo, de forma expresa o implícita, en relación con el Manual.


### **Acerca de este Manual**

El manual incluye instrucciones para el uso y el manejo del producto. Las fotografías, cuadros, imágenes y cualquier otra información provista a continuación tienen fines descriptivos y explicativos únicamente. La información incluida en el Manual está sujeta a cambios sin previo aviso, por motivos de actualización de firmware u otros motivos. Encuentre la última versión en el sitio web EZVIZ™ (<http://www.ezvizlife.com>).

### **Registro de Revisiones**

Nuevo lanzamiento – Enero, 2019

### **Reconocimiento de las marcas registradas**

EZVIZ™,  y otras marcas registradas y logos de EZVIZ son propiedad de EZVIZ en diferentes jurisdicciones. Otras marcas y logos mencionados a continuación pertenecen a sus respectivos dueños.

### **Aviso legal**

HASTA EL GRADO MÁXIMO QUE PERMITA LA LEY APLICABLE, EL PRODUCTO DESCRIPTO, CON SU HARDWARE, SOFTWARE Y FIRMWARE SE PROPORCIONA "TAL COMO ES", CON TODAS LAS FALLAS Y ERRORES Y EZVIZ NO GARANTIZA, DE MANERA EXPRESA O IMPLÍCITA, LA COMERCIABILIDAD, LA CALIDAD SATISFACTORIA, LA IDONEIDAD PARA UN PROPÓSITO EN PARTICULAR Y LA NO VIOLACIÓN POR PARTE DE TERCEROS, ENTRE OTRAS. EN NINGÚN CASO EZVIZ, SUS DIRECTORES, FUNCIONARIOS, EMPLEADOS O REPRESENTANTES SERÁN RESPONSABLES ANTE USTED POR DAÑOS ESPECIALES, CONSECUENTES, SECUNDARIOS O INDIRECTOS, ENTRE OTROS, DAÑOS POR PÉRDIDA DE GANANCIAS DEL NEGOCIO, INTERRUPCIÓN DEL NEGOCIO O PÉRDIDA DE DATOS O DOCUMENTACIÓN, RELACIONADA CON EL USO DE ESTE PRODUCTO, AUNQUE SE HUBIERA NOTIFICADO A EZVIZ DE LA POSIBILIDAD DE DICHA DAÑOS.

HASTA EL MÁXIMO GRADO PERMITIDO POR LA LEY APLICABLE, EN NINGÚN CASO LA RESPONSABILIDAD TOTAL DE EZVIZ POR TODOS LOS DAÑOS EXCEDERÁ EL PRECIO DE COMPRA ORIGINAL DEL PRODUCTO.

EZVIZ NO ASUME NINGUNA RESPONSABILIDAD POR LESIONES PERSONALES O DAÑOS A LA PROPIEDAD COMO RESULTADO DE LA INTERRUPCIÓN DEL PRODUCTO O LA TERMINACIÓN DEL SERVICIO CAUSADA POR: A) INSTALACIÓN O USO INCORRECTO DISTINTO AL SOLICITADO; B) PROTECCIÓN DE INTERESES NACIONALES O PÚBLICOS; C) FUERZA MAYOR; D) EL USO, INCLUYENDO POR USTED MISMO Y SIN LIMITACIÓN A UN TERCERO, DE LOS

PRODUCTOS, SOFTWARE, APLICACIONES, ENTRE OTROS, DE ALGÚN TERCERO.  
EN RELACIÓN AL PRODUCTO CON ACCESO A INTERNET, EL USO DEL PRODUCTO CORRERÁ COMPLETAMENTE POR SU CUENTA Y RIESGO. EZVIZ NO ASUMIRÁ NINGUNA RESPONSABILIDAD POR EL FUNCIONAMIENTO ANORMAL, ATENTADOS CONTRA LA PRIVACIDAD U OTROS DAÑOS QUE DERIVEN DE ATAQUES CIBERNÉTICOS, ATAQUES DE HACKERS, INSPECCIÓN DE VIRUS U OTROS RIESGOS DE SEGURIDAD DE INTERNET; SIN EMBARGO, EZVIZ PROPORCIONARÁ APOYO TÉCNICO OPORTUNO SI ES NECESARIO.  
LAS LEYES DE VIGILANCIA Y LAS LEYES DE PROTECCIÓN DE DATOS VARÍAN POR JURISDICCIÓN. REVISE TODAS LAS LEYES PERTINENTES EN SU JURISDICCIÓN ANTES DE USAR ESTE PRODUCTO PARA GARANTIZAR QUE EL USO CUMPLA CON LA LEGISLACIÓN APLICABLE. EZVIZ NO SE RESPONSABILIZA POR EL USO DEL PRODUCTO CON FINES ILEGÍTIMOS.  
EN CASO DE CUALQUIER CONFLICTO ENTRE LO ANTERIOR Y LA LEY APLICABLE, ÉSTA ÚLTIMA PREVALECE.

### **Instrucciones de seguridad**

**Debido a la forma y las dimensiones del producto, el nombre y la dirección del importador/fabricante está impresa en el paquete.**

### **Servicio la cliente**

Para más información, visite [www.ezvizlife.com](http://www.ezvizlife.com).

**?Necesita ayuda? Visite "[www.ezvizlife.com/inter/page/contact-us](http://www.ezvizlife.com/inter/page/contact-us)" para obtener contactos locales.**

**GUARDE ESTE MANUAL PARA REFERENCIA FUTURA**

COPYRIGHT © Hangzhou EZVIZ Software Co., Ltd. TOUS DROITS RÉSERVÉS.

Toutes les informations, notamment les textes, les images et les graphiques sont la propriété de Hangzhou EZVIZ Software Co., Ltd (ci-après « EZVIZ »). Ce guide d'utilisation (ci-après désigné le « guide ») ne peut être reproduit, modifié, traduit ou distribué, en partie ou en totalité, sans le consentement écrit préalable d'EZVIZ. Sauf mention contraire, EZVIZ n'offre aucune garantie, explicite ou implicite, en ce qui concerne ce guide.



### **À propos de ce guide**

Ce guide comprend des directives pour utiliser et gérer le produit. Les illustrations, les graphiques, les images et toutes les autres informations figurant ci-après sont fournis à titre de description et d'explication uniquement. Les informations figurant dans le guide sont modifiables sans préavis, en raison de mises à jour du micrologiciel ou pour d'autres raisons. Veuillez consulter le site web [EZVIZ™](http://www.ezvizlife.com) pour obtenir la dernière version (<http://www.ezvizlife.com>).

### **Fiche des révisions**

Nouvelle version - janvier 2019

### **Informations sur les marques déposées**

 EZVIZ™,  et les autres marques déposées et logos d'EZVIZ sont la propriété d'EZVIZ dans diverses juridictions. Les autres marques déposées et logos mentionnés ci-dessous appartiennent à leurs propriétaires respectifs.

### **Mentions légales**

DANS LES LIMITES AUTORISÉES PAR LE DROIT EN VIGUEUR, LE PRODUIT DÉCRIT, AVEC SON MATÉRIEL, SON LOGICIEL ET SON MICROLOGICIEL, EST FOURNI « TEL QUEL », AVEC TOUS SES DÉFAUTS ET SES ERREURS, ET EZVIZ N'OFFRE AUCUNE GARANTIE, EXPLICITE OU IMPLICITE, NOTAMMENT DE QUALITÉ MARCHANDE, DE QUALITÉ SATISFAISANTE, D'ADÉQUATION À UN USAGE PARTICULIER, ET DE NON-VIOLATION DES DROITS D'UN TIERS. EN AUCUN CAS EZVIZ, SES DIRECTEURS, CADRES, EMPLOYÉS OU AGENTS NE SAURONT ÊTRE TENUS RESPONSABLES ENVERS VOUS POUR TOUS DOMMAGES SPÉCIAUX, CONSÉCUTIFS, ACCESSOIRES OU INDIRECTS, Y COMPRIS LES DOMMAGES POUR PERTE DE BÉNÉFICES COMMERCIAUX, INTERRUPTION DU TRAVAIL, PERTE DE DONNÉES OU DE DOCUMENTATION EN LIEN AVEC L'USAGE DE CE PRODUIT, MÊME SI EZVIZ A ÉTÉ AVERTI DE L'ÉVENTUALITÉ DE CES DOMMAGES.

DANS LES LIMITES AUTORISÉES PAR LE DROIT EN VIGUEUR, EN AUCUN CAS LA RESPONSABILITÉ TOTALE D'EZVIZ POUR LES DOMMAGES NE SAURA EXCÉDER LE PRIX D'ACHAT D'ORIGINE DU PRODUIT.

EZVIZ N'ACCÉPTE AUCUNE RESPONSABILITÉ EN CAS DE BLESSURE OU DE DOMMAGE À LA PROPRIÉTÉ RÉSULTANT DE L'INTERRUPTION DU PRODUIT OU LA FIN DU SERVICE EN RAISON DES ÉLÉMENTS SUIVANTS : A) INSTALLATION OU UTILISATION INCORRECTE OU DIFFÉRENTE DE L'USAGE PRESCRIT; B) PROTECTION DES INTÉRÊTS NATIONAUX OU PUBLICS; C) CAS DE FORCE MAJEURE; D) UTILISATION, Y COMPRIS, SANS TOUTEFOIS S'Y LIMITER DE PRODUITS, LOGICIELS, APPLICATIONS ET AUTRES DE TIERS PAR VOUS OU

UNE TIERCE PARTIE.

EN CE QUI CONCERNE LE PRODUIT DISPOSANT D'UN ACCÈS À INTERNET, L'USAGE DU PRODUIT SE FERA ENTIÈREMENT À VOS PROPRES RISQUES. EZVIZ DÉCLINE TOUTE RESPONSABILITÉ EN CAS DE FONCTIONNEMENT ANORMAL, DE FUITE D'INFORMATIONS CONFIDENTIELLES OU D'AUTRES DOMMAGES RÉSULTANT D'UNE CYBER-ATTAQUE, D'UN PIRATAGE, D'UN VIRUS OU DE TOUT AUTRE RISQUE DE SÉCURITÉ SUR INTERNET ; CEPENDANT, EZVIZ OFFRIRA UNE ASSISTANCE TECHNIQUE RAPIDE EN CAS DE BESOIN.

LA LÉGISLATION SUR LA SURVEILLANCE ET LA PROTECTION DES DONNÉES VARIENT D'UNE JURIDICTION À L'AUTRE. VEUILLEZ VÉRIFIER TOUTES LES LOIS PERTINENTES DANS VOTRE JURIDICTION AVANT D'UTILISER CE PRODUIT AFIN DE VOUS ASSURER QUE VOTRE USAGE EST CONFORME AU DROIT EN VIGUEUR. EZVIZ NE SERA PAS TENU POUR RESPONSABLE SI CE PRODUIT EST UTILISÉ À DES FINS ILLÉGITIMES.

EN CAS DE CONFLIT ENTRE CE QUI PRÉCÈDE ET LE DROIT EN VIGUEUR, CE DERNIER PRÉVAUDRA.

### **Directives de sécurité**

En raison de la forme et des dimensions du produit, le nom et l'adresse de l'importateur ou du fabricant sont imprimés sur l'emballage.

### **Service clientes**

Pour plus d'informations, veuillez-vous visiter [www.ezvizlife.com](http://www.ezvizlife.com).

Besoin d'aide ? veuillez-vous visiter "[www.ezvizlife.com/inter/page/contact-us](http://www.ezvizlife.com/inter/page/contact-us)" pour avoir nos coordonnées locales.

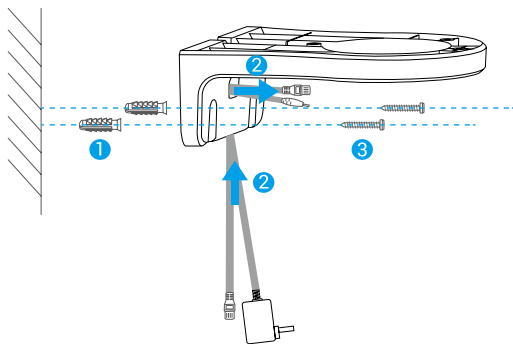
**CONSERVEZ CE MANUEL POUR UNE RÉFÉRENCE FUTURE**



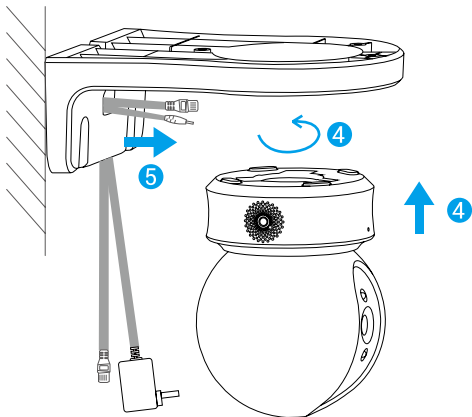
# How to Mount the Bracket

## Option 1: Install the PT camera

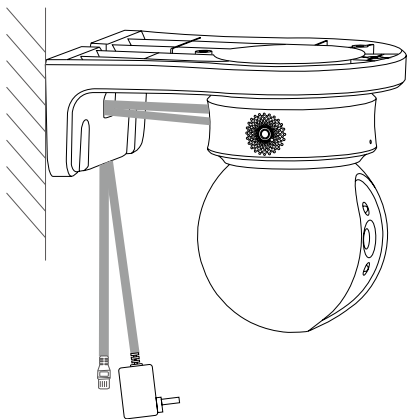
- i** Make sure the wall is strong enough to withstand three times the weight of the camera.
1. Pick a clean and flat surface, drill two holes on the wall and insert anchors.
  2. (Optional) Take the cables you want to connect to the camera through the hole of the mounting bracket as shown in the figure below.
    - i** If you want to secure the Ethernet cable and the power cable, take the cables through the hole of the bracket before you fixate the bracket.
  3. Fix the mounting bracket to the wall with mounting screws.



4. Mount the camera to the bracket, and turn it clockwise until it is fixed.
5. (Optional) Connect the cables to the camera.



6. The installation has completed.

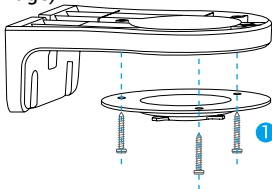


# How to Mount the Bracket

## Option 2: Install the dome camera

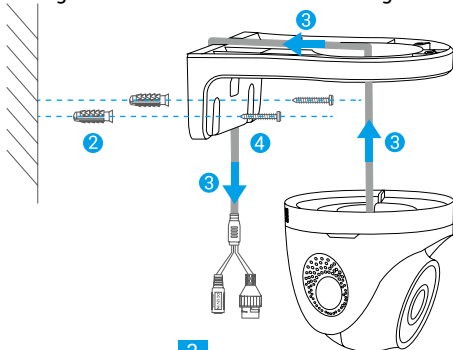
- i** Make sure the wall is strong enough to withstand three times the weight of the camera.

- 1. (Optional)** Fix the base plate to the mounting bracket with base screws (included in the package).

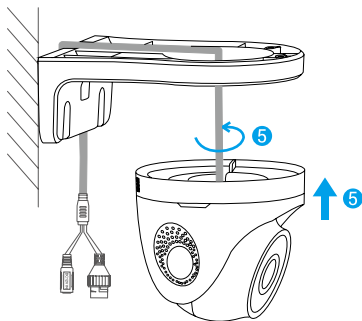


- i** If there is no base plate included in the camera package, please skip this step.

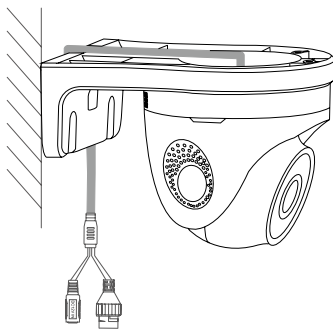
2. Pick a clean and flat surface, drill two holes on the wall and insert anchors.
3. Take the wires from the camera through the hole of the base plate (optional) and the mounting bracket as shown in the figure below.
4. Fix the mounting bracket to the wall with mounting screws.



5. Mount the camera to the base plate, and turn it clockwise until it is fixed.



6. The installation has completed.



## LIMITED WARRANTY

Thank you for purchasing Hangzhou EZVIZ Software Co., Ltd. ("EZVIZ") products. This limited warranty ("warranty") gives you, the original purchaser of the EZVIZ product, specific legal rights. You may also have other legal rights that vary by state, province or jurisdiction. This warranty applies only to the original purchaser of the product. "Original purchaser" means any consumer having purchased the EZVIZ product from an authorized seller. The disclaimers, exclusions, and limitations of liability under this warranty will not apply to the extent prohibited by applicable law. No distributor, reseller, agent, or employee is authorized to make any modification, extension, or addition to this warranty.

Your EZVIZ product is warranted for a period of one (1) year from the date of purchase against defects in materials and workmanship, or such longer period as may be required by law in the country or state where this product is sold, when used normally in accordance with user manual.

You can request warranty service by contacting our Customer Service.

For any defective EZVIZ products under warranty, EZVIZ will, at its option, (i) repair or replace your product free of charge; (ii) exchange your product with a functional equivalent product; or (iii) refund the original purchase price, provided you provide the original purchase receipt or copy, a brief explanation of the defect, and return the product in its original packaging. At EZVIZ's sole discretion, repair or replacement may be made with a new or refurbished product or components. This warranty does not cover the shipping cost, insurance, or any other incidental charges incurred by you in returning the product.

Except where prohibited by applicable law, this is your sole and exclusive remedy for breach of this warranty. Any product that has either been repaired or replaced under this warranty will be covered by the terms of this warranty for the longer of ninety (90) days from the date of delivery or the remaining original warranty period.

This warranty does not apply and is void:

- If the warranty claim is made outside the warranty period or if the proof of purchase is not provided;
- For any malfunction, defect, or failure caused by or resulting from the evidence of impact; mishandling; tampering; use contrary to the applicable instruction manual; incorrect power line voltage; accident; loss; theft; fire; flood; or other Acts of God; shipping damage; or damage resulting from repairs performed by unauthorized personnel;
- For any consumable parts, such as batteries, where the malfunction is due to the normal aging of the product;
- Cosmetic damage, including but not limited to scratches, dents, and broken plastic on ports;
- Any software, even if packaged or sold with EZVIZ hardware;
- For any other damages free from defects in material or workmanship;
- Routine cleaning, normal cosmetic, and mechanical wear and tear.

### DISCLAIMER OF WARRANTIES

EXCEPT AS STATED ABOVE IN THIS WARRANTY, AND TO THE MAXIMUM EXTENT PERMITTED BY APPLICABLE LAW, EZVIZ DISCLAIMS ALL EXPRESS, IMPLIED, AND STATUTORY WARRANTIES AND CONDITIONS WITH RESPECT TO THE PRODUCT, INCLUDING THE IMPLIED WARRANTIES OF MERCHANTABILITY AND FITNESS FOR A PARTICULAR PURPOSE, THE DURATION OF ANY APPLICABLE IMPLIED WARRANTIES OR CONDITIONS TO THE DURATION OF THIS WARRANTY, THE SECURITY OF THE PRODUCT, OR AVAILABILITY AND RELIABILITY OF PRODUCT INFORMATION OR DATA.

NOTE: SOME STATES OR JURISDICTIONS DO NOT ALLOW LIMITATIONS ON HOW LONG AN IMPLIED WARRANTY LASTS, SO THE ABOVE LIMITATION MAY NOT APPLY TO YOU.

### LIMITATION OF DAMAGES

IN NO EVENT WILL EZVIZ BE LIABLE FOR ANY CONSEQUENTIAL, INCIDENTAL, EXEMPLARY, OR SPECIAL DAMAGES, INCLUDING ANY DAMAGES FOR LOST DATA OR LOST PROFITS, ARISING FROM OR RELATING TO THIS WARRANTY OR THE PRODUCT, AND EZVIZ'S TOTAL CUMULATIVE LIABILITY ARISING FROM OR RELATED TO THIS WARRANTY OR THE PRODUCT WILL NOT EXCEED THE AMOUNT ACTUALLY PAID FOR THE PRODUCT BY THE ORIGINAL PURCHASER.

NOTE: SOME STATES OR JURISDICTIONS DO NOT ALLOW THE EXCLUSION OR LIMITATION OF INCIDENTAL OR CONSEQUENTIAL DAMAGES, SO THE ABOVE LIMITATION OR EXCLUSION MAY NOT APPLY TO YOU.

### LIMITATION OF LIABILITY

ALL PRODUCT INFORMATION AND DATA IS PROVIDED FOR YOUR CONVENIENCE. "AS IS", AND "AS AVAILABLE." EZVIZ DOES NOT REPRESENT, WARRANT, OR GUARANTEE THAT PRODUCT INFORMATION AND DATA WILL BE AVAILABLE, ACCURATE, OR RELIABLE OR THAT PRODUCT INFORMATION AND DATA OR USE OF THE PRODUCT WILL PROVIDE SAFETY IN YOUR HOME. YOU USE ALL PRODUCT INFORMATION, DATA, AND THE PRODUCT AT YOUR OWN DISCRETION AND RISK. YOU WILL BE SOLELY RESPONSIBLE FOR (AND EZVIZ DISCLAIMS) ANY AND ALL LOSS, LIABILITY, OR DAMAGES, INCLUDING TO YOUR WIRING, FIXTURES, ELECTRICITY, HOME, PRODUCT, PRODUCT PERIPHERALS, COMPUTER, MOBILE DEVICE, AND ALL OTHER ITEMS AND PETS, RESULTING FROM YOUR USE OF THE PRODUCT INFORMATION, DATA, OR PRODUCT. PRODUCT INFORMATION AND DATA PROVIDED BY EZVIZ IS NOT INTENDED AS A SUBSTITUTE FOR DIRECT MEANS OF OBTAINING THE INFORMATION. FOR EXAMPLE, A NOTIFICATION PROVIDED THROUGH THE PRODUCT IS NOT INTENDED AS A SUBSTITUTE FOR AUDIBLE AND VISIBLE INDICATIONS IN THE HOME AND ON THE PRODUCT, NOR FOR A THIRD PARTY MONITORING SERVICE.

Please do not hesitate to contact your seller or our Customer Service, with any questions.

## 제한 보증

Hangzhou EZVIZ Software Co., Ltd. (이하 "EZVIZ") 제품을 구매해 주셔서 감사합니다. 이 제한 보증 (이하 "보증")은 EZVIZ 제품의 최초 구매자에게 제공되며 구체적인 법적 권리를 부여합니다. 또한 국가, 지방 또는 관할 지역에 따른 법적 권리를 보유할 수 있습니다. 이 보증은 제품의 최초 구매자에게만 적용됩니다. "최초 구매자"란 공인된 판매점으로부터 EZVIZ 제품을 구매한 모든 소비자들을 의미합니다. 관련 법률에 의거 허용되지 않는 지역에서는 본 보증을 면책 조항, 배제 및 책임의 한계가 적용되지 않을 수 있습니다. 모든 유통 업체, 재판관자, 대리점 또는 직원은 본 보증을 변경, 연장 또는 추가할 권한이 없습니다.

귀하의 EZVIZ 제품은 구매 일자부터 일 (1) 년간 원자재 및 제조상의 결함에 대해 보증을 받을 수 있으며 제품을 구매한 국가 또는 주의 법률에 따라 더 긴 기간이 보장될 경우 일반적으로 사용 설명서에 명시됩니다.

고객 서비스에 문의하여 보증 서비스를 요청할 수 있습니다.

보증 기간 이내에 결함이 있는 모든 EZVIZ 제품에 대해, EZVIZ는 (i) 귀하의 제품을 무상으로 수리 또는 교체하거나, (ii) 귀하의 제품과 상응하는 기능을 탑재한 유사 제품으로 교체하거나, (iii) 귀하가 구매한 영수증 또는 복사본이 제공되는 바와 같이 처음 구매한 가격으로 환불할 것이며, 귀하는 결함에 관한 각각한 설명과 함께 본래 포장 상태로 제품을 반납해야 합니다. EZVIZ의 단독 재량에 따라 수리 또는 교체 시 신제품, 리퍼 제품 또는 부품이 사용됩니다. 본 보증은 귀하가 제품을 반납할 때 발생하는 배송비, 보험 및 기타 부대비용을 보상하지 않습니다.

관련 법률에 의거 금지되는 지역을 제외하고 본 보증은 보증 위반에 관한 단독적이며 독점적인 구제 방법입니다. 본 보증에 따라 수리 또는 교체된 모든 제품은 제품 수령일 또는 잔존하는 최초 보증 기간에서 구입 (90) 일의 추가 보증 기간이 적용됩니다.

다음과 같은 경우 이 보증은 적용되지 않으며 효력이 없습니다.

- 보증 기간이 지난 후 보증을 청구하거나 제품 구매 증빙을 제출하지 않는 경우;
- 충격, 취급 부주의, 조작, 사용 설명서의 지침을 위반하는 사용, 잘못된 전압 연결, 사고, 분실, 도난, 화재, 홍수 등의 기타 천재지변, 운송 관련 손상 또는 허가 받지 않은 사람에 의한 수리로 발생한 손상으로 인해 오작동, 결함 또는 고장이 발생한 경우;
- 배터리 등의 소모성 부품 등 정상적인 제품 노후로 인해 오작동이 발생한 경우;
- 굽힘, 흠집, 플라스틱 깨짐 및 이에 국한하지 않고 외관이 손상된 경우;
- 제품에 포함되었거나 EZVIZ 하드웨어와 함께 판매된 소프트웨어가 손상된 경우;
- 기타 원자재 또는 제조상의 결함과 무관한 손상에 해당하는 경우;
- 일상적인 청소, 일반적인 외관 및 기계적인 마모에 해당하는 경우.

보증 면책 조항

본 보증의 상기 명시된 항목을 제외하고 관련 법률이 허용하는 최대 범위 내에서 EZVIZ는 시장 적합성의 목리적 보증과 특정 목적에의 적합성, 적용 가능한 목리적 보증 기간 또는 본 보증 기간에 관한 조건, 제품 보안, 또는 제품 정보 및 데이터의 가용성 및 신뢰성 등 제품과 관련된 조건을 포함한 모든 명시적, 묵시적 및 법적 보증을 부인합니다.

참고: 일부 주 또는 관할 구역은 목리적 보증의 유효 기간에 관한 제한을 허용하지 않으므로, 상기 제한 사항이 귀하에게 적용되지 않을 수도 있습니다.

손해의 제한

EZVIZ는 본 보증 또는 제품과 관련해 발생한 데이터 유실 또는 수익 손실로 인한 결과적, 부수적, 징벌적 또는 특별 손해에 대해 일체의 책임을 지지 않으며 또한 본 보증 또는 제품과 관련해 발생한 EZVIZ의 총 보상 책임은 제품을 최초 구매할 때 발생한 실구매 금액의 총액을 초과하지 않습니다.

참고: 일부 주 또는 관할 구역은 부수적 또는 결과적 손해에 관한 예외 또는 제한을 허용하지 않으므로, 상기 제한 또는 예외 조항은 귀하에게 적용되지 않을 수 있습니다.

책임의 제한

모든 제품과 데이터는 귀하의 편의를 위해 "있는 그대로" 및 "이용할 수 있는 상태로" 제공됩니다. EZVIZ는 제품 정보와 데이터의 가용성, 정확도 또는 신뢰도를 대변하거나 보증하거나 보장하지 않으며, 해당 제품 정보 및 데이터 또는 제품의 사용이 귀하 가정에 안전을 제공한다고 대변하거나 보증하거나 보장하지 않습니다. 귀하는 제품의 모든 정보와 데이터를 사용하여 귀하의 재량에 따른 제품 사용에는 위험이 존재합니다. 귀하는 제품 정보, 데이터 및 제품을 사용함에 있어 발생하는 배선 연결, 고장, 전기, 가정, 제품, 제품 주변 기기, 컴퓨터, 모바일 기기 및 기타 모든 물품과 반려동물 등에 관한 일체의 손상, 책임, 손상에 관해 전적으로 책임 (및 EZVIZ의 면책) 이 있습니다. EZVIZ가 제공하는 제품 정보 및 데이터는 정보를 획득하는 직접적인 방법의 대체 수단을 의미하지 않습니다. 예를 들어 제품이 제공하는 알림은 가정 및 제품의 음성적 및 시각적 표시를 대체하지 않으며 제 3 자의 모니터링 서비스를 의미하는 것이 아닙니다.

문의 사항이 있는 경우 언제든지 판매점 또는 고객 서비스에 연락해주시십시오.

## BẢO HÀNH CỔ GIỚI HẠN

Cảm ơn quý vị đã mua sản phẩm Hangzhou EZVIZ Software Co., Ltd. ("EZVIZ"). Gói bảo hành cổ giới hạn này ("gói bảo hành") sẽ đem đến cho quý vị, người mua ban đầu của sản phẩm EZVIZ, những quyền hợp pháp cụ thể. Quý vị cũng được hưởng các quyền hợp pháp khác tùy theo tiểu bang, tỉnh hoặc khu vực có quyền tài phán. Gói bảo hành này chỉ áp dụng duy nhất cho người mua ban đầu của sản phẩm. "Người mua ban đầu" nghĩa là bất kỳ khách hàng nào đã mua sản phẩm EZVIZ từ người bán được ủy quyền. Việc tuyên bố miễn trừ, loại bỏ và hạn mức trách nhiệm theo gói bảo hành này sẽ không được áp dụng trong phạm vi bị cấm hoặc bị luật áp dụng. Không một nhà phân phối, nơi bán lại, đại lý hay nhân viên nào được ủy quyền để thực hiện bất kỳ sửa đổi, mở rộng hoặc bổ sung nào đối với gói bảo hành này.

Sản phẩm EZVIZ của quý vị được bảo hành trong thời hạn một (1) năm kể từ ngày mua cho các khiếm khuyết về vật liệu và chế tác hoặc trong thời hạn dài hơn luật pháp của quốc gia hoặc tiểu bang nơi sản phẩm này được bán có thể quy định, khi sản phẩm được sử dụng bình thường theo sách hướng dẫn sử dụng.

Quý vị có thể yêu cầu dịch vụ bảo hành bằng cách liên lạc với Dịch vụ Chăm sóc Khách hàng của chúng tôi.

Đối với bất kỳ sản phẩm EZVIZ lỗi nào được bảo hành, tùy theo lựa chọn của mình mà EZVIZ sẽ (i) sửa chữa hoặc thay thế miễn phí sản phẩm của quý vị; (ii) đổi sản phẩm của quý vị với một sản phẩm có chức năng tương đương; hoặc (iii) hoàn trả lại số tiền mua hàng ban đầu, với điều kiện quý vị cung cấp biên lai gốc hoặc bản sao biên lai mua hàng, giải thích ngắn gọn về lý do hư hỏng và hoàn trả sản phẩm trong bao bì đóng gói ban đầu của sản phẩm. Theo toàn quyền quyết định của EZVIZ, việc sửa chữa và thay thế có thể được thực hiện với một sản phẩm hoặc linh kiện mới hoặc đã được tân trang. Gói bảo hành giới hạn này không bao gồm phí vận chuyển, bảo hiểm hay bất kỳ phụ phí nào khác mà quý vị phải chi trả trong quá trình hoàn trả lại sản phẩm.

Trừ khi bị cấm bởi luật áp dụng, đây là biện pháp khắc phục duy nhất và dành riêng cho quý vị đối với trường hợp vi phạm gói bảo hành này. Bất kỳ sản phẩm nào đã được sửa chữa hoặc thay thế theo như gói bảo hành giới hạn này sẽ được bảo vệ bởi các điều khoản của gói bảo hành này thêm chín mươi (90) ngày kể từ ngày giao hàng hoặc trong khoảng thời gian còn lại của gói bảo hành ban đầu.

Gói bảo hành này sẽ không áp dụng và trở nên vô hiệu:

- Nếu yêu cầu bảo hành được đưa ra ngoài thời hạn bảo hành hoặc nếu không cung cấp được bằng chứng mua hàng.
- Đối với lỗi hoạt động, khiếm khuyết hư hỏng hoặc bất kỳ gây ra bởi hoặc phát sinh mà bằng chứng cho thấy là do va đập, bảo quản không tốt, tự ý can thiệp, sử dụng trái với sách hướng dẫn áp dụng cho sản phẩm, điện áp nguồn không đúng, tai nạn, thất lạc, trộm cắp, hỏa hoạn, lũ lụt hoặc thiên tai, hư hỏng khi chuyển phát hoặc hư hỏng do việc sửa chữa của người không được ủy quyền thực hiện.
- Đối với bất kỳ bộ phận tiêu hao nào như pin, trong đó lỗi là do sự già hóa thông thường của sản phẩm.
- Hư hỏng ngoại quan, bao gồm nhưng không giới hạn ở các vết trầy xước, vết lõm và nhựa gầy, vết trầy các cổng của thiết bị.
- Bất kỳ phần mềm nào, cho dù được đóng gói hoặc bán kèm theo phần cứng của EZVIZ.
- Đối với các trường hợp hư hỏng khác không phải do các khiếm khuyết về vật liệu hoặc chế tác.
- Vệ sinh thường kỳ, hao mòn và hư hỏng cơ học và ngoại quan thông thường.

### TUYÊN BỐ MIỄN TRỪ TRÁCH NHIỆM BẢO HÀNH

TRỪ CÁC TRƯỜNG HỢP NHƯ ĐƯỢC QUY ĐỊNH Ở TRÊN TRONG GÓI BẢO HÀNH NÀY VÀ TRONG PHẠM VI TỐI ĐA ĐƯỢC PHÁP LUẬT HIỆN HÀNH CHO PHÉP, EZVIZ TUYÊN BỐ THỎA THÍCH MỌI TRÁCH NHIỆM BẢO HÀNH VÀ ĐIỀU KIỆN ĐƯỢC THỂ HIỆN RÕ RÀNG, ĐƯỢC NGUY HIỂM MANG TÍNH PHÁP QUY LIÊN QUAN ĐẾN SẢN PHẨM NÀY, BAO GỒM CẢ CÁC TRÁCH NHIỆM BẢO HÀNH ĐƯỢC NGUY Ý VỀ KHẢ NĂNG TIÊU THỤ VÀ TÍNH PHỤ HỢP CHO MỘT MỤC ĐÍCH CỤ THỂ, THỜI HẠN CHỌN BÁT KỲ TRÁCH NHIỆM BẢO HÀNH HOẶC ĐIỀU KIỆN ĐƯỢC NGUY Ý NÀO CÓ THỂ ĐƯỢC ÁP DỤNG CHO GÓI BẢO HÀNH NÀY, TÍNH AN TOÀN CỦA SẢN PHẨM HOẶC TÍNH KHẢ DỤNG VÀ ĐỘ TIN CẬY CỦA CÁC THÔNG TIN HOẶC DỮ LIỆU SẢN PHẨM.

LƯU Ý: DO MỘT SỐ TIỂU BANG HOẶC QUY ĐỊNH PHÁP LÝ KHÔNG CHO PHÉP GIỚI HẠN VỀ THỜI HẠN CỦA ĐIỀU KHOẢN BẢO HÀNH ÁM CHỈ, DO VẬY NHỮNG GIỚI HẠN TRÊN ĐÂY CÓ THỂ SẼ KHÔNG ÁP DỤNG ĐỐI VỚI QUÝ VỊ.

### GIỚI HẠN THIẾT HẠI

TRONG MỌI TRƯỜNG HỢP EZVIZ ĐỀU SẼ KHÔNG CHỊU TRÁCH NHIỆM ĐỐI VỚI BẤT KỲ THIẾT HẠI NÀO MANG TÍNH TẮT NHIÊN, NGẤU NHIÊN, RẦN ĐE HOẶC ĐẶC BIỆT, BAO GỒM BẤT KỲ THIẾT HẠI NÀO DO DỮ LIỆU BỊ MẮT HOẶC LỖI NHÂN TẠO PHÁT SINH TỰ HOẶC LIÊN QUAN ĐẾN GÓI BẢO HÀNH HOẶC SẢN PHẨM NÀY VÀ TỔNG TRÁCH NHIỆM CÔNG ĐƠN CỦA CÔNG TY PHÁT SINH TỰ HOẶC LIÊN QUAN ĐẾN GÓI BẢO HÀNH HOẶC SẢN PHẨM NÀY SẼ KHÔNG VƯỢT QUÁ SỐ TIỀN MUA BAN ĐẦU THỰC TẾ TRẢ CHO SẢN PHẨM.

LƯU Ý: DO MỘT SỐ TIỂU BANG HOẶC QUY ĐỊNH PHÁP LÝ KHÔNG CHO PHÉP VIỆC LOẠI BỎ HOẶC GIỚI HẠN CÁC TỔN THẤT GIÁN TIẾP HOẶC NGẤU NHIÊN, DO VẬY NHỮNG GIỚI HẠN HOẶC LOẠI BỎ TRÊN ĐÂY CÓ THỂ SẼ KHÔNG ÁP DỤNG ĐỐI VỚI QUÝ VỊ.

### HẠN MỨC TRÁCH NHIỆM

MỌI THÔNG TIN VÀ DỮ LIỆU SẢN PHẨM ĐỀU ĐƯỢC CUNG CẤP VỊ SỰ THUẬN TIỆN CỦA QUÝ VỊ, THEO HÌNH THỨC "CÓ SAO CUNG CẤP VẬY" VÀ "TUY ĐIỀU KIỆN SẴN CỜ". EZVIZ KHÔNG TUYÊN BỐ, BẢO ĐẢM HAY CAM ĐOAN RẰNG CÁC THÔNG TIN VÀ DỮ LIỆU SẢN PHẨM SẼ CỐ SẴN, CHÍNH XÁC HOẶC ĐÁNG TIN CẬY HOẶC RẰNG THÔNG TIN VÀ DỮ LIỆU SẢN PHẨM HOẶC VIỆC SỬ DỤNG SẢN PHẨM SẼ AN TOÀN TÀI NHA QUÝ VỊ. QUÝ VỊ SỬ DỤNG MỌI THÔNG TIN, DỮ LIỆU SẢN PHẨM VÀ SẢN PHẨM THEO QUYẾT ĐỊNH CỦA CHÍNH MÌNH VÀ VỚI RỦI RO DO MÌNH TỰ CHỊU. QUÝ VỊ HOÀN TOÀN CHỊU TRÁCH NHIỆM ĐỐI VỚI (VÀ EZVIZ TUYÊN BỐ THỎA THÍCH) BẤT KỲ VÀ MỌI TỒN THẤT, TRÁCH NHIỆM HOẶC THIẾT HẠI, BAO GỒM CẢ ĐƯỜNG DẪY ĐIỆN, ĐỒ GÁ LẮP ĐIỆN, NHÀ Ở, SẢN PHẨM, THIẾT BỊ NGOẠI VỊ CỦA SẢN PHẨM, MÁY VỊ TÍNH, THIẾT BỊ DI ĐỘNG VÀ MỌI ĐỒ ĐẶC KHÁC VÀ VẬT NỮO, PHÁT SINH TỰ VIỆC SỬ DỤNG THÔNG TIN, DỮ LIỆU SẢN PHẨM HOẶC SẢN PHẨM. EZVIZ KHÔNG CỐ Ý ĐỊNH CUNG CẤP CÁC THÔNG TIN VÀ DỮ LIỆU SẢN PHẨM THAY THẾ CHO CÁC PHƯƠNG TIỆN TƯ THÁP THÔNG TIN TRỰC TIẾP VỊ DÙ. MỘT THÔNG BÁO ĐƯỢC CUNG CẤP TỰ THÔNG QUA SẢN PHẨM SẼ KHÔNG NHẠM MỤC ĐÍCH THAY THẾ CHO CÁC CHỈ BÁO TIẾNG VÀ HÌNH Ở TRONG NHÀ VÀ TRÊN SẢN PHẨM, CÙNG NHƯ NHỮNG DẠNG CHỖ DỊCH VỤ GIÁM SÁT CỦA MỘT BÊN THỨ BA.

Vui lòng liên hệ với bên bán hàng của quý vị hoặc Dịch vụ Chăm sóc Khách hàng của chúng tôi nếu quý vị có bất kỳ thắc mắc nào.

## ข้อจำกัดของการรับประกัน

ข้อของผลิตภัณฑ์ของ Hangzhou EZVIZ Software Co. Ltd. ("EZVIZ") ข้อจำกัดของการรับประกันนี้ ("การรับประกัน") จะให้สิทธิตามกฎหมายที่เฉพาะเจาะจงกับผู้ใช้ดั้งเดิมของผลิตภัณฑ์ EZVIZ นอกจากนี้ยังมีข้อกำหนดสิทธิตามกฎหมายอื่น ๆ ที่แตกต่างกันไปในแต่ละ จังหวัดหรือเขตอำนาจกฎหมาย การรับประกันนี้ใช้กับผู้ใช้ดั้งเดิมของผลิตภัณฑ์เท่านั้น "ผู้ซื้อดั้งเดิม" หมายถึงผู้บริโภคที่ซื้อผลิตภัณฑ์ EZVIZ จากตัวแทนจำหน่ายที่ได้รับอนุญาต คำสงวนสิทธิ์ ข้อถ้อยแถลงข้อจำกัดความรับผิดชอบภายใต้ข้อจำกัดของการรับประกันนี้จะไม่สามารถนำไปใช้ภายใต้กฎหมายที่บังคับใช้ หน่วยงานให้จัดจำหน่าย ผู้ผลิต นัก ด่วนหรือลูกจ้างรายใดทำการแก้ไข ซ่อมหรือเพิ่มเติมสิ่งใด ให้กับข้อจำกัดของการรับประกัน

ผลิตภัณฑ์ EZVIZ ของคุณมีการรับประกันที่เป็นระยะเวลาหนึ่ง (1) ปีนับจากวันที่ซื้อเพื่อเป็นการรับประกันข้อบกพร่องที่เกิดจากวัสดุและการผลิต หรือมีระยะเวลาการรับประกันที่นานกว่า ทั้งนี้จะเป็นไปตามเงื่อนไขที่กำหนดไว้ตามกฎหมายในประเทศที่ผลิตภัณฑ์ได้รับการวางจำหน่าย เมื่อผลิตภัณฑ์ถูกใช้จนตามปกติโดยสอดคล้องกับผู้ถือการใช้งาน คุณสามารถขอใช้บริการการรับประกันได้โดยติดต่อฝ่ายบริการลูกค้าของเรา

สำหรับผลิตภัณฑ์ EZVIZ ใดๆ ที่อาจถูกใช้สำหรับการรับประกัน EZVIZ จะมีปัญหือข้อที่จะ (1) ซ่อมแซมหรือเปลี่ยนผลิตภัณฑ์ของคุณโดยไม่คิดค่าใช้จ่าย (2) และเปลี่ยนผลิตภัณฑ์ของคุณด้วยผลิตภัณฑ์ที่เทียบเท่า (3) หรือคืนเงินตามราคาซื้อเดิมที่แสดงอยู่ในใบเสร็จรับเงินต้นฉบับหรือสำเนา ใบประกอบ คำอธิบายโดยสรุปเกี่ยวกับข้อบกพร่องและส่งผลิตภัณฑ์กลับคืนในบรรจุภัณฑ์เดิม การซ่อมแซมหรือการทดแทนอาจได้รับการดำเนินการกับผลิตภัณฑ์ใหม่ หรือผลิตภัณฑ์หรือส่วนประกอบที่ได้รับการปรับปรุงแก้ไข โดยขึ้นกับดุลยพินิจของ EZVIZ การรับประกันนี้จะไม่ครอบคลุมสินค้าขนส่งทางไปรษณีย์ ค่าประกันภัยและค่าใช้จ่ายอื่นๆ ที่เกิดขึ้นจากการส่งผลิตภัณฑ์กลับคืน

เว้นแต่จะถูกห้ามไว้ตามกฎหมายที่บังคับใช้ นี่เป็นการเสียยาเฉพาะคุณเพียงผู้เดียวสำหรับการละเมิดข้อจำกัดของการรับประกันนี้ ผลิตภัณฑ์ใดๆ ที่ได้รับการซ่อมแซมหรือถูกเปลี่ยนใหม่ภายใต้ข้อจำกัดของการรับประกันนี้ จะได้รับการคุ้มครองตามเงื่อนไขของข้อจำกัดของการรับประกันนี้ที่ถือต่อไปเป็นเวลาเก้าสิบ (90) วันนับจากวันที่จัดส่ง หรือนับจากระยะเวลาที่เหลืออยู่ในการรับประกันเดิม

การรับประกันนี้จะไม่ครอบคลุมและถือเป็นโมฆะ:

- หากการเคลมประกันเกิดขึ้นนอกระยะเวลาการรับประกันหรือไม่แสดงหลักฐานการซื้อ
- สำหรับการทำงานที่ผิดพลาด ข้อบกพร่องหรือความล้มเหลวที่เกิดจาก หรือเป็นผลมาจากเหตุการณ์ใดๆ; การใช้งานที่ผิดพลาดและการผิดนะ; การดัดแปลงใช้งานที่ขัดกับคู่มือการใช้งาน; การใช้สายไฟที่ไม่ตรงกันไฟฟ้าที่ไม่ถูกต้อง; การเกิดอุบัติเหตุ; การสูญหาย; การถูกโจรกรรม; ไฟไหม้; น้ำท่วม; หรือการกระทำอื่นๆ จากเหตุสุดวิสัย; ความเสียหายจากการขนส่งสินค้า; หรือความเสียหายที่เกิดจากการซ่อมแซมโดยบุคคลที่ไม่ได้รับอนุญาต
- สำหรับวัสดุสิ้นเปลืองใดๆ เช่น แบตเตอรี่ ซีดีข้อบกพร่องที่เกิดจากการเสื่อมสภาพตามปกติของผลิตภัณฑ์
- วีรกรรมความเสียหายรวมถึงไม่จำกัดเฉพาะรอยขีดข่วน รอยบุบและพลาสติกในช่องต่อหัก
- ซอฟต์แวร์ใดๆ แม้ว่าจะบรรจุรวมหรือขายร่วมกับฮาร์ดแวร์ของ EZVIZ
- สำหรับความเสียหายอื่นๆ ที่ปรากฏจากข้อบกพร่องของวัสดุหรือการผลิต
- การที่ความสะอาดตามปกติ รอยขีดข่วนและการชำรุดหรืออุบัติเหตุของกลไก

คำสงวนสิทธิ์สำหรับการรับประกัน

EZVIZ ของสงวนสิทธิ์ความรับผิดชอบที่แสดงไว้โดยชัดเจน โดยอยู่ และตามกฎหมาย รวมทั้งเงื่อนไขที่เกี่ยวข้องกับผลิตภัณฑ์ เช่น การรับประกันสินค้าโดยยืมและความเหมาะสมสำหรับวัตถุประสงค์การใช้งานที่เฉพาะเจาะจง ระยะเวลาของการรับประกันโดยยืมหรือสินค้าตามระยะเวลาของการรับประกันนี้ ความปลอดภัยของผลิตภัณฑ์หรือความพร้อมและความน่าเชื่อถือของผลิตภัณฑ์หรือข้อมูล เว้นแต่จะมีการระบุไว้ข้างต้นในการรับประกันแบบจำกัดนี้และในขอบเขตสูงสุดที่กฎหมายอนุญาต หมายถึง: บางจังหวัดหรือเขตอำนาจศาลไม่อนุญาตให้มีข้อจำกัดเกี่ยวกับระยะเวลาการรับประกันโดยยืม ดังนั้นข้อจำกัดข้างต้นอาจไม่มีผลกับคุณ ข้อจำกัดเกี่ยวกับความเสียหาย

ไม่ว่ากรณีใด บริษัทจะไม่รับผิดชอบต่อความเสียหายที่เกิดจากผลกระทบที่ต่อเนื่อง ความเสียหายจากอุบัติเหตุ ความเสียหายที่เป็นข้อยกเว้น ความเสียหายแบบพิเศษ โดยรวมถึงความเสียหายใดๆ ที่เกี่ยวกับการสูญหายของข้อมูล หรือการสูญเสียกลไกใดๆที่เนื่องมาจากข้อจำกัดของการรับประกันนี้หรือผลิตภัณฑ์ หรือความรับผิดชอบของ EZVIZ ที่เกิดขึ้นจากหรือเกี่ยวข้องข้อจำกัดของการรับประกันนี้หรือผลิตภัณฑ์จะต้องมีจำนวนเงินค่าชดเชยไม่เกินจำนวนเงินที่แท้จริงที่จ่ายโดยผู้ซื้อผลิตภัณฑ์ หมายถึง: บางจังหวัดหรือเขตอำนาจศาลไม่อนุญาตให้มีข้อยกเว้นหรือข้อจำกัดความเสียหายอื่นเนื่องมาจากอุบัติเหตุหรือความเสียหายที่ต่อเนื่อง ดังนั้นข้อจำกัดหรือข้อยกเว้นดังกล่าวทั้งหมดอาจไม่มีผลกับคุณ

ข้อจำกัดของการรับผิดชอบ

ข้อของผลิตภัณฑ์และข้อมูลทั้งหมดจัดเตรียมเพื่อความสะดวกของคุณ ในแบบ "ตามสภาพ" และ "ตามที่เห็น" EZVIZ ไม่ได้เป็นตัวแทน ให้การรับประกันหรือให้การรับรองว่าข้อมูลผลิตภัณฑ์จะได้รับการจัดไว้ให้ มีความถูกต้อง หรือมีความน่าเชื่อถือ นอกจากนี้ข้อมูลผลิตภัณฑ์ และข้อมูลของการใช้งานผลิตภัณฑ์ที่จัดไว้ให้ยังมีไว้เพื่อให้อุปกรณ์ความปลอดภัยเมื่อใช้งานภายในบ้านของคุณ คุณใช้ข้อมูลผลิตภัณฑ์ และผลิตภัณฑ์โดยอยู่ภายใต้ดุลยพินิจและความรับผิดชอบของคุณจะต้องรับผิดชอบแต่เพียงผู้เดียวต่อความเสี่ยงใดๆ และความเสียหายทั้งหมด (และการจำกัดความรับผิดชอบของ EZVIZ) รวมทั้งความผิดพลาด หรือความเสียหาย เช่น สายไฟ อุปกรณ์ติดตั้ง ไฟฟ้า บัน ผลิตภัณฑ์ อุปกรณ์ต่อพ่วงของผลิตภัณฑ์ คอมพิวเตอร์ อุปกรณ์โทรศัพท์มือถือ และรายการอื่นๆ ทั้งหมดและส่วนหนึ่ง ที่เป็นผลมาจากการใช้ข้อมูลผลิตภัณฑ์ และผลิตภัณฑ์ของคุณ ข้อมูลผลิตภัณฑ์และข้อมูลที่จะได้มาจาก EZVIZ ไม่สามารถที่จะใช้ทดแทนวิธีการที่ข้อมูลโดยตรง ยกตัวอย่างเช่น คำเตือนที่ไฟหรือผลิตภัณฑ์ไม่ได้มีเจตนาเพื่อใช้ทดแทนข้อจำกัดในรูปแบบเสียงและสภาพภายในบ้านและบนผลิตภัณฑ์ หรือบริการตรวจสอบจากบุคคลที่สาม หากมีข้อสงสัยใดๆ โปรดติดต่อตัวแทนจำหน่ายหรือบริการลูกค้า



## GARANSI TERBATAS

Terima kasih telah membeli produk Hangzhou EZVIZ Software Co., Ltd. ("EZVIZ"). Garansi terbatas ini ("garansi") memberi Anda, pembeli pertama produk EZVIZ, hak-hak hukum spesifik. Anda juga dapat memiliki hak hukum lainnya yang berbeda berdasarkan negara bagian, provinsi, atau yurisdiksi. Garansi ini hanya berlaku untuk pembeli pertama produk. "Pembeli pertama" berarti setiap konsumen yang telah membeli produk EZVIZ dari penjual resmi. Penafian, pengecualian, dan batasan tanggung jawab berdasarkan garansi ini tidak akan berlaku sejauh dilarang oleh hukum yang berlaku. Distributor, pengecer, agen, atau karyawan tidak diizinkan untuk membuat perubahan, perpanjangan, atau penambahan pada garansi ini.

Produk EZVIZ Anda mendapatkan garansi selama periode dua (1) tahun dari tanggal pembelian terhadap kecacatan bahan dan kualitas pengerjaan, atau periode yang lebih panjang jika disyaratkan oleh hukum di negara atau negara bagian tempat produk ini dijual, saat digunakan secara normal sesuai dengan panduan pengguna.

Anda dapat meminta layanan garansi dengan menghubungi Layanan Pelanggan kami.

Untuk setiap produk EZVIZ yang rusak dalam masa garansi, EZVIZ akan, sesuai pilihannya, (i) memperbaiki atau mengganti produk Anda secara gratis; (ii) menukar produk Anda dengan produk yang berfungsi setara; atau (iii) mengembalikan harga pembelian asli, dengan ketentuan Anda memberikan tanda terima pembelian asli atau salinannya, penjelasan singkat tentang cacat, dan mengembalikan produk dalam kemasan aslinya. Atas pertimbangan EZVIZ sendiri, perbaikan atau penggantian dapat dilakukan dengan produk atau komponen yang baru atau rekondisi. Garansi ini tidak mencakup biaya pengiriman, asuransi, atau biaya tak terduga lainnya yang Anda keluarkan dalam pengembalian produk.

Kecuali jika dilarang oleh hukum yang berlaku, ini adalah solusi Anda satu-satunya dan eksklusif untuk pelanggaran garansi ini. Setiap produk yang telah diperbaiki atau diganti dalam garansi ini akan ditanggung oleh ketentuan garansi ini selama sembilan puluh (90) hari sejak tanggal pengiriman atau sisa masa garansi asal manapun yang lebih panjang.

Garansi ini tidak akan berlaku dan batal:

- Jika klaim garansi dilakukan di luar masa garansi atau jika bukti pembelian tidak disediakan;
- Untuk segala malfungsi, kecacatan, atau kegagalan yang nyata-nyata disebabkan oleh atau akibat adanya benturan; salah penanganan; perusakan; penggunaan yang bertentangan dengan petunjuk penggunaan yang berlaku; tegangan saluran listrik yang salah; kecelakaan; kehilangan; pencurian; kebakaran; banjir; atau bencana alam lainnya; kerusakan pengiriman; atau kerusakan yang disebabkan oleh perbaikan yang dilakukan oleh personel yang tidak berwenang;
- Untuk setiap komponen habis pakai, seperti baterai, di mana malfungsi disebabkan oleh penuaan normal produk;
- Kerusakan kosmetik, termasuk tetapi tidak terbatas pada goresan, penyok, dan plastik pecah pada port;
- Perangkat lunak apa pun, meskipun dikemas atau dijual bersama perangkat keras EZVIZ;
- Untuk kerusakan selain cacat bahan atau kualitas pengerjaan;
- Pembersihan rutin, kosmetik normal, dan aus karena pemakaian.

### PENAFIAN GARANSI

KECUALI SEPERTI DINYATAKAN DI ATAS DALAM GARANSI INI, DAN SEPANJANG DIPERBOLEHKAN OLEH HUKUM YANG BERLAKU, EZVIZ MENAFIKAN SEMUA GARANSI TERSURAT, TERSIRAT, DAN HUKUM SERTA KETENTUAN TERKAIT PRODUK, TERMASUK GARANSI TERSIRAT KOMERSIAL DAN KECOCOKAN UNTUK KEPERLUAN TERTENTU, DURASI GARANSI ATAU KETENTUAN TERSIRAT HINGGA DURASI GARANSI INI, KEAMANAN PRODUK, ATAU KETERSEDIAAN ATAU PUNJUK KEANDALAN INFORMASI ATAU DATA PRODUK. CATATAN: BEBERAPA NEGARA BAGIAN ATAU YURISDIKSI TIDAK MENGINZINKAN PEMBATASAN BERAPA LAMA GARANSI JAMINAN TERSIRAT BERLANGSUNG, SEHINGGA PEMBATASAN DI ATAS MUNGKIN TIDAK BERLAKU UNTUK ANDA.

### PEMBATASAN KERUSAKAN

DALAM KEADAAN APA PUN, EZVIZ TIDAK AKAN BERTANGGUNG JAWAB ATAS KERUSAKAN KONSEKUENSIAL, INSIDENTAL, EKSEMPLAR, ATAU KERUSAKAN KHUSUS, TERMASUK KERUGIAN AKIBATILANGNYA DATA ATAU HILANGNYA LABA, YANG TIMBUL DARI ATAU YANG BERKAITAN DENGAN GARANSI ATAU PRODUK INI, DAN KEWAJIBAN KUMULATIF EZVIZ TOTAL YANG TIMBUL DARI ATAU YANG BERKAITAN DENGAN GARANSI ATAU PRODUK INI TIDAK AKAN MELEBIHI JUMLAH AKTUAL YANG DIBAYARKAN UNTUK PRODUK INI OLEH PEMBELI PERTAMA.

CATATAN: BEBERAPA NEGARA BAGIAN ATAU YURISDIKSI TIDAK MENGINZINKAN PENGECEUALIAN ATAU PEMBATASAN KERUGIAN INSIDENTAL ATAU KONSEKUENSIAL, SEHINGGA PEMBATASAN ATAU PENGECEUALIAN DI ATAS MUNGKIN TIDAK BERLAKU UNTUK ANDA.

### PEMBATASAN KEWAJIBAN

SEMUA INFORMASI DAN DATA PRODUK DISEDIAKAN UNTUK KENYAMANAN ANDA. "SEBAGAIMANA ADANYA", DAN "SEBAGAIMANA TERSEDIA". EZVIZ TIDAK MENYATAKAN, MENJAMIN, ATAU MEMBERI GARANSI BAHWA INFORMASI DAN DATA PRODUK AKAN TERSEDIA, AKURAT, ATAU DAPAT DIANDALKAN ATAU BAHWA INFORMASI DAN DATA PRODUK ATAU PENGGUNAAN PRODUK INI AKAN MEMBERIKAN KESELAMATAN DI RUMAH ANDA. ANDA MENGGUNAKAN SEMUA INFORMASI PRODUK DAN DATA, SERTA PRODUK ITU SENDIRI ATAS PERTIMBANGAN DAN RISIKO ANDA SENDIRI. ANDA SECARA PRIBADI BERTANGGUNG JAWAB ATAS (DAN EZVIZ MENAFIKAN) SEGALA DAN SEMUA KERUGIAN, KEWAJIBAN, ATAU KERUSAKAN, TERMASUK TERHADAP PENGABELAN, PERABOT, LISTRIK, RUMAH, PRODUK, PRODUK PERIFERAL, KOMPUTER, PERANGKAT SELULER, DAN SEMUA ITEM DAN BINATANG PELIHARAAN LAIN, YANG DIKIBATKAN DARI PENGGUNAAN INFORMASI DAN DATA PRODUK, SERTA PRODUK. INFORMASI DAN DATA PRODUK YANG DISEDIAKAN OLEH EZVIZ TIDAK DITUJUKAN SEBAGAI PENGANTI CARA LANGSUNG MENDAPATKAN INFORMASI. MISALNYA, PEMBERITAHAUAN YANG DIBERIKAN MELALUI PRODUK INI TIDAK DITUJUKAN SEBAGAI PENGANTI UNTUK INDIKASI YANG DAPAT DIDENGAR DAN DILIHAT DI RUMAH DAN PADA PRODUK, ATAU UNTUK LAYANAN PEMANTAUAN PIHAK KETIGA.

Anda dipersilakan menghubungi penjual atau Layanan Pelanggan kami jika memiliki pertanyaan apa pun.

## 有限保固

感謝您購買 Hangzhou EZVIZ Software Co., Ltd. (簡稱「EZVIZ」) 的產品。本有限保固 (簡稱「保固」) 向身為 EZVIZ 產品原購買者的您提供明確之法律權利。針對不同州、省或轄區, 您還可以享有其他的法律權利。本保固僅適用於產品的原購買者。「原購買者」是指向授權賣方購買 EZVIZ 產品的任何消費者。在本保固條件下之免責聲明、除外責任條款及責任限制, 將不適用於適用法律所禁止的範圍。經銷商、轉售商、代理商或員工均未經授權對本保固進行任何修改、延長或新增。

您的 EZVIZ 產品從購買日起算— (1) 年內針對材質和工藝保固有效, 或依據本產品販售地的國家或州 / 省法律可以有更長的保固期, 前提是本產品在使用上有符合使用手冊的要求。

您可以聯絡我們의 客服部門, 以提出保固服務的請求。

在保固條件下任何有瑕疵的 EZVIZ 產品, EZVIZ 將有權選擇 (1) 免費修理或更換您的產品; (2) 以功能相當的產品來交換您的產品; 或 (3) 退還原購買金額, 前提是您必須提供原始購買收據或收據複本、簡單說明瑕疵狀況, 並且以原包裝退回該產品。EZVIZ 可自行決定是否要以全新或整修過的產品或零件來修理或更換。本保固不涵蓋運輸成本、保險費, 或由於您退還產品所產生的其他任何附帶費用。

除非適用法律明列禁止, 否則這是在您違反本保固時的唯一和專屬補救方法。對於已根據本保固所修理或更換的任何產品, 本保固條款所涵蓋的保固期間, 從交貨日起算九十 (90) 天, 或者為原保固期剩餘天數, 以兩者中較長天數計算。

本保固不適用且無效的範圍包括:

- 申請保固索賠的時間已超出保固期, 或未提供購買證明;
- 由於衝擊、處理不當、篡改、使用方法有違指導手冊、電源線電壓不正確、意外事故、遺失、失竊、火災、水災或其他天然災害、運輸損壞或未經授權之人員進行修理致使損壞所造成或導致的任何故障、缺陷或失效;
- 任何諸如電池等隨著產品正常老化導致故障的耗材零件;
- 外觀損壞, 包括但不限於刮痕、凹痕及連接埠上的破裂塑膠;
- 任何軟體, 即使是隨著 EZVIZ 硬體一起包裝或販售的軟體也包括在內;
- 任何其他非因材質或工藝所致的損壞;
- 日常清潔、正常外觀和機械性磨損和撕裂。

### 保固免責聲明

除了本保固以上所述及適用法律所允許之最大範圍以外, EZVIZ 拒絕接受與本產品有關的所有明示、默示及法定保證和條件, 包括適售性和適用特定目的之默示保證、對本保固持續期間任何適用的默示保證或條件之持續期間、產品安全性, 或產品資訊或資料的可用性和可靠性。

註記: 有些州或司法管轄區不允許限制默示保證的持續時間, 因此上述限制可能對您不適用。

### 損害賠償限制

對於任何間接、附帶、懲罰性或特殊損害, EZVIZ 絕不承擔責任, 包括因本保固或本產品而產生或與本保固或本產品有關之資料遺失或利潤損失所導致的任何損害, 而且 EZVIZ 對於因本保固或本產品而產生或與本保固或本產品有關的總累積責任, 將不會超出原購買者為本產品所實際支付的金額。

註記: 有些州或司法管轄區不允許排除或限制附帶或間接損害, 因此上述限制或除外責任條款可能對您不適用。

### 責任範圍

所有產品資訊和資料「按現狀」且「按可用性」都旨在為您提供便利性。EZVIZ 不表示、擔保或保證產品資訊和資料將可用、準確或可靠, 或本產品之產品資訊和資料或使用將為您提供居家安全。所有產品資訊、資訊和本產品都必須在您自我裁量並評估風險後再來使用。您將單獨承擔 (而且 EZVIZ 有免責權) 任何及所有損失、責任或損害, 包括由於您使用本產品資訊、資料或產品而對配線、固件、電力、住家、產品、產品週邊設備、電腦、行動裝置以及其他所有物品和寵物所造成的損失、責任或損害。EZVIZ 所提供的產品資訊和資料, 並非是要取代成為獲得資訊的直接手段。舉例來說, 透過本產品提供的通知意不在於取代家裡和產品上的聽覺和視覺指示, 也不是要取代第三方的監視服務。

若有任何問題, 請立即連絡您的賣方或我們的客服部門。

## 限定的保証について

Hangzhou EZVIZ Software Co., Ltd. (以下EZVIZとする)の製品をご購入頂きありがとうございます。  
この限定保証は、EZVIZ製品の購入者に対して特定の法的権利を保証します。地域または国によっては異なるその他の法的権利を持つことも出来ます。

この限定保証は、製品の最初の購入者にも適用されます。「最初の購入者」とは、EZVIZ製品を正規販売者から購入したことのある消費者を意味します。

この限定保証に基づく免責事項、除外事項および責任の制限は、準拠法で禁止されている範囲には適用されません。卸売業者、販売代理店、小売店などの取扱会社、又はそれらに勤める従業員は、この限定保証に対して、いかなる変更及び追加、又は期間の延長等を行うことは出来ません。

お客様のEZVIZ製品は、ユーザーマニュアル(取扱説明書)に従って通常使用の場合は購入日から1年間保証されます。又、販売されている地域や国の法律、使用されている材料や製造上の欠陥等によっては、それ以上の期間保証される場合もございます。サポートセンターへご連絡頂き、保証サービスを要求することができます。

保証の下で、方が一欠陥のあるEZVIZ製品についての取扱いについて、弊社(EZVIZ)は以下の選択権があります。

- (i) お客様の製品を無料で修理または交換すること。
- (ii) お客様の製品を機能的に同等の製品と交換すること。
- (iii) お客様の製品を製品箱と同梱の上、御購入証明となるレシート原本又はコピーと、欠陥についての簡単な説明書きを添えて御返品頂く事によって、御購入代金を払い戻すこと。

ただし、弊社独自の判断により、新しい製品又は後継品への交換又は新しく導入された部品・部材を使用して修理させて頂く場合がございます。

併せて、この保証サービスは、製品を返送する際に発生した送料並びに各種保険、お客様が負ったその他の付随費用には適用されません。

適用される法律によって禁止されている場合を除き、上記事項は、製品の欠陥等によって生じる契約の不履行に対する唯一の排他的な救済手段です。

この限定保証のもとで修理または交換された製品は、配送日から90日又は保証期間が91日以上残っている場合は残りの保証期間にわたって保証適用されます。

以下の場合は、保証サービスは適用されず、無効となります。

- ・保証期間外に保証請求が行われた場合、保証書及び購入証明(レシート、領収書)が提示されていない場合。
- ・故障、誤った取り扱い、改ざん、ユーザーマニュアル(取扱説明書)に反する使用方法、誤った電圧の電源使用、事故、紛失、盗難、火災、洪水又はその他の天災により生じた欠陥、運送時による損傷、弊社以外の修理に起因する損傷。
- ・電池などの消耗品の場合※製品の経年劣化による為
- ・筐体表面の損傷(傷、凹み、コネクタ一部分のプラスチックの破損等を含む)
- ・EZVIZハードウェアでパッケージ化または販売されている全てのソフトウェア。
- ・材料または製造上の欠陥が無いその他の損害。
- ・日常的なお手入れ及び、通常の使用の中での筐体表面の摩耗および裂傷。

### 保証の否認

この保証の範囲内、および適用法によって許容される最大範囲を除き、EZVIZは、本製品に関連する明示、黙示及び法定保証及び条件のすべてを受け入れることを拒否し、適合性及び特定の黙示保証、本保証期間に適用される黙示保証または条件の持続期間、製品の安全性、または製品情報、データの可用性と信頼性を含みます。

注：一部の法的権限の管轄区域では、黙示保証の期間に関する制限が認められていないため、上記の制限が適用されない場合があります。

### 損害保証の制限

いかなる間接的で、付帯する懲罰的または特殊的損害に対してもEZVIZは一切の責任を負いません。

本保証または本製品によって発生または本保証または本製品に関連するデータの紛失または利益損失によるいかなる損害をも含む、また、EZVIZは、本保証または本製品によって発生または本保証または本製品に関する総累積責任について、元の購入者が本製品に対して実際に支払った金額を超過することはありません。

注：一部の法的権限の管轄区域では、付帯または間接的な損害を排除または制限できないため、上記の制限または除外の責任事項は適用されない可能性があります。

### 責任の制限

製品の状態および機能をもとに作成したすべての製品情報とデータはお客様の便宜上のために提供することを目的としています。EZVIZは、保証または保証製品情報およびデータが正確であり信頼できる利用可能なものであること、又、製品情報およびデータの使用がお客様の家庭で安全に使用されることを表明するものではありません。

すべての製品情報、データと本製品はあなた自身の判断とリスクを評価してから使用しなければなりません。あなたは本製品の情報、データまたは製品を使用することによって記録、付属品、電気、家、製品、製品の周辺機器、コンピュータ、モバイル機器およびその他の物品とベツトが引き起こした損失、責任及び損害(およびEZVIZ免責事項)について、あなたは一切の責任を単独で負うものとします。

EZVIZが提供する製品情報とデータは情報を得るために、直接手段するための代替手段を意図したものではありません。例えば、本製品を通じて提供される通知は、家庭内および本製品上の可聴表示および可視表示、あるいは第三者の監視サービスの代替として意図されたものではありません。

お問い合わせは、販売代理店またはカスタマーサービスまでご連絡ください。

## GARANTIE LIMITÉE

Merci d'avoir acheté ce produit fabriqué par Hangzhou EZVIZ Software Co., Ltd. (« EZVIZ »). La présente garantie limitée (« garantie ») vous octroie, en tant qu'acheteur original du produit EZVIZ, des droits légaux spécifiques. Vous pouvez également faire valoir d'autres droits légaux, qui varient d'un État, d'une province ou d'une juridiction à l'autre. La présente garantie couvre uniquement l'acheteur original du produit. « Acheteur original » désigne tout consommateur ayant acheté le produit EZVIZ auprès d'un distributeur agréé. Les avis de non-responsabilité, les exclusions et les limitations de responsabilité au titre de la présente garantie ne s'appliquent pas dans la mesure où les lois en vigueur l'interdisent. Aucun distributeur, revendeur, agent ou employé n'est autorisé à effectuer des modifications, des extensions ou des ajouts à la présente garantie.

Votre produit EZVIZ est couvert par la garantie pour une période d'un (1) an à compter de la date d'achat, contre les défauts matériels et de main-d'œuvre, ou durant une période plus longue telle que pourrait l'exiger la loi de l'État ou du pays où le produit est vendu, en cas d'utilisation normale de celui-ci conformément au manuel d'utilisation.

Vous pouvez solliciter le service de garantie en contactant notre service client.

Pour tout produit EZVIZ défectueux couvert par la garantie, EZVIZ pourra, à sa discrétion, (i) le réparer ou le remplacer gratuitement, (ii) l'échanger contre un autre produit équivalent fonctionnel ou (iii) vous rembourser son prix d'achat initial, sous réserve de la fourniture de la facture d'achat originale ou d'une copie de celle-ci accompagnée d'une brève explication du défaut, et du renvoi du produit dans son emballage d'origine. À la totale discrétion d'EZVIZ, la réparation ou le remplacement d'un produit peut se faire avec un produit ou des composants neufs ou remis à neuf. La présente garantie ne couvre pas le coût d'expédition, l'assurance ou tous autres frais accessoires pris en charge par vos soins lors du retour du produit.

Sauf si la loi l'interdit, la mesure ci-dessous constitue votre recours exclusif en cas de violation de la présente garantie. Tout produit qui a été réparé ou remplacé en vertu de la présente garantie sera couvert par les termes de la présente garantie pour une période de quatre-vingt-dix (90) jours à compter de la date de livraison au client ou pour la période de garantie originale restante.

La présente garantie ne s'applique pas et est nulle dans les cas ci-dessous :

- la réclamation au titre de la garantie est faite hors la période de garantie ou si la preuve d'achat n'est pas fournie ;
- tout dysfonctionnement, défectuosité ou panne causé par un impact, une mauvaise manipulation, une altération, une utilisation en violation du manuel d'utilisation en vigueur, une mauvaise tension d'alimentation, un accident, une perte, un vol, un incendie, une inondation, un cas de force majeure, un dommage lié à l'expédition ou un dommage lié aux réparations effectuées par un technicien non agréé, ou résultant de l'une des causes ci-dessous ;
- les consommables, par exemple les batteries, dont le dysfonctionnement est dû au vieillissement normal du produit ;
- les dommages cosmétiques, y compris, mais sans s'y limiter, les égratignures, les bosses et le déchirement des pièces en plastique garnissant les ports ;
- les logiciels, y compris ceux emballés ou vendus avec le matériel EZVIZ ;
- tout autre dommage que les dommages liés aux défauts matériels ou de main-d'œuvre ;
- l'usure liée au nettoyage de routine, l'usure cosmétique normale et l'usure mécanique.

### EXCLUSIONS DE GARANTIES

À L'EXCEPTION DES CAS PRÉVUS CI-DESSUS DANS LA PRÉSENTE GARANTIE, ET DANS LES LIMITES AUTORISÉES PAR LA LOI EN VIGUEUR, EZVIZ DÉCLINE TOUTE GARANTIE ET CONDITION EXPRESSE, IMPLICITE OU LÉGALE RELATIVE AU PRODUIT, Y COMPRIS LES GARANTIES IMPLICITES DE VALEUR MARCHANDE, D'ADÉQUATION À UNE UTILISATION PARTICULIÈRE, DE DURÉE DE TOUTE GARANTIE OU CONDITION IMPLICITE APPLICABLE PAR RAPPORT À LA DURÉE DE LA PRÉSENTE GARANTIE, DE SÉCURITÉ DU PRODUIT OU DE DISPONIBILITÉ ET DE FIABILITÉ DES INFORMATIONS OU DES DONNÉES RELATIVES AU PRODUIT.

REMARQUE : SI VOUS RÉSIDEZ DANS UN ÉTAT OU UNE JURIDICTION N'AUTORISANT PAS DE LIMITES SUR LA DURÉE DE LA GARANTIE IMPLICITE, LA LIMITE CI-DESSUS NE S'APPLIQUE PAS À VOUS.

### LIMITES DE DOMMAGES

EZVIZ NE SAURAIT EN AUCUN CAS ÊTRE TENUE POUR RESPONSABLE DE TOUT DOMMAGE CONSÉCUTIF, ACCIDENTEL, EXEMPLAIRE OU SPÉCIAL, Y COMPRIS EN CAS DE DOMMAGES DE PERTE DE DONNÉES OU DE PROFIT, DÉCOULANT DE LA PRÉSENTE GARANTIE OU DU PRODUIT. LA RESPONSABILITÉ TOTALE CUMULÉE D'EZVIZ AU TITRE DE LA PRÉSENTE GARANTIE OU DU PRODUIT NE PEUT PAS ÊTRE SUPÉRIEURE AU MONTANT EFFECTIVEMENT PAYÉ POUR LE PRODUIT PAR L'ACHETEUR INITIAL.

REMARQUE : SI VOUS RÉSIDEZ DANS UN ÉTAT OU UNE JURIDICTION N'AUTORISANT PAS D'EXCLUSIONS OU DE LIMITES SUR LES DOMMAGES ACCIDENTELS OU CONSÉCUTIFS, LA LIMITE OU L'EXCLUSION CI-DESSUS NE S'APPLIQUE PAS À VOUS.

### LIMITATION DE RESPONSABILITÉ

TOUTES LES INFORMATIONS ET DONNÉES RELATIVES AU PRODUIT CONTENUES DANS LE PRÉSENT DOCUMENT SONT FOURNIES À DES FINS DE COMMODITÉ. « EN L'ÉTAT » ET « SELON LEUR DISPONIBILITÉ ». EZVIZ NE DÉCLARE NI NE GARANTIT QUE LES INFORMATIONS ET DONNÉES RELATIVES AU PRODUIT SERONT DISPONIBLES, EXACTES OU FIABLES NI QUE LES INFORMATIONS ET DONNÉES RELATIVES AU PRODUIT OU L'UTILISATION DU PRODUIT GARANTIRONT LA SÉCURITÉ DE VOTRE DOMICILE. VOUS UTILISEZ LES INFORMATIONS ET DONNÉES RELATIVES AU PRODUIT ET LE PRODUIT SELON VOTRE PROPRE VOLONTÉ ET À VOS PROPRES RISQUES. VOUS ASSUMEZ L'ENTIÈRE RESPONSABILITÉ (ET EZVIZ NE SAURAIT ÊTRE TENUE POUR RESPONSABLE EN LA MATIÈRE) EN CE QUI CONCERNE LES PERTES, LES RESPONSABILITÉS OU LES DOMMAGES, Y COMPRIS À VOTRE CÂBLAGE, À VOS ACCESSOIRES, À VOS INSTALLATIONS ÉLECTRIQUES, À VOTRE DOMICILE, À VOTRE PRODUIT, À VOS PÉRIPHÉRIQUES DE PRODUIT, À VOS ORDINATEURS, À VOS PORTABLES ET À TOUT AUTRE ANIMAL DOMESTIQUE OU OBJET, RÉSULTANT DE L'UTILISATION DU PRODUIT OU DES INFORMATIONS ET DONNÉES RELATIVES AU PRODUIT. LES INFORMATIONS ET DONNÉES RELATIVES AU PRODUIT FOURNIES PAR EZVIZ NE SONT PAS DESTINÉES À REMPLACER LES MOYENS DIRECTS D'OBTENTION DES INFORMATIONS. PAR EXEMPLE UNE NOTIFICATION FOURNIE PAR LE PRODUIT NE SAURAIT REMPLACER LES INDICATIONS AUDIBLES ET VISIBLES DANS VOTRE DOMICILE ET SUR VOTRE PRODUIT NI UN SERVICE DE SURVEILLANCE TIERS.

Si vous avez des questions, n'hésitez pas à contacter votre distributeur ou notre service client.

## GARANTÍA LIMITADA

Gracias por comprar productos de Hangzhou EZVIZ Software Co., Ltd. ("EZVIZ"). Esta garantía limitada ("garantía") le otorga a usted, comprador original del producto EZVIZ, derechos legales específicos. Quizá disponga de otros derechos legales según la región, provincia o jurisdicción. Esta garantía se aplica exclusivamente al comprador original del producto. Por "comprador original" se entiende cualquier consumidor que haya comprado el producto EZVIZ a un vendedor autorizado. Las renunciaciones, exclusiones o limitaciones de responsabilidad bajo esta garantía no se aplicarán en la medida prohibida por la legislación vigente. Ningún distribuidor, vendedor, agente o empleado está autorizado a hacer modificaciones, extensiones o adiciones a esta garantía.

Su producto EZVIZ tiene garantía, que cubre defectos de materiales y fabricación, por un periodo de (1) año desde la fecha de la compra o por un periodo mayor según lo requiera la legislación en el país o región donde se venda este producto, siempre que se utilice tal y como se indica en el manual de usuario.

Puede solicitar el servicio de garantía poniéndose en contacto con nuestro Servicio al Cliente.

Ante cualquier producto EZVIZ defectuoso, EZVIZ decidirá si: (i) reparar o reemplazar su producto sin gasto alguno; (ii) cambiar su producto por un producto funcional equivalente; o (iii) devolver el dinero original de la compra, siempre que nos facilite el recibo de compra original, una breve explicación del defecto y devuelva el producto en su embalaje original. Según considere EZVIZ, la reparación o reemplazo puede realizarse con un producto o componente nuevo o reacondicionado. Esta garantía no cubre los gastos de envío, seguro ni ningún otros gastos secundarios en los que usted pueda incurrir al devolver el producto.

A menos que lo prohíba la legislación vigente, este es su recurso único y exclusivo por incumplimiento de esta garantía. Cualquier producto que haya sido reparado o reemplazado bajo esta garantía quedará cubierto por los términos de esta garantía por un máximo de (90) días desde el día de envío o por el periodo de garantía original restante.

Esta garantía no se aplica y quedará anulada:

- Si el derecho a la garantía se ejerce fuera del periodo de la garantía o si no se proporciona ninguna prueba de compra;
- Por cualquier avería, defecto o fallo provocado o que resulte de algún impacto; uso incorrecto; manipulación; uso contrario a lo indicado en el manual de instrucciones; tensión de alimentación incorrecta; accidente; pérdida; robo; incendio; inundación; u otros casos fortuitos; daños de envío; o daños que resulten de reparaciones realizadas por personal no autorizado;
- Para los elementos consumibles, tales como baterías, ya que el mal funcionamiento se debe al paso del tiempo del producto;
- Daños superficiales incluyendo, entre otros: rasguños, abolladuras y plásticos rotos en los puertos;
- Cualquier software, aunque esté embalado o se venda junto a hardware de EZVIZ;
- Por cualquier otro daño que no sea por defectos en el material o de su fabricación;
- Limpieza rutinaria, daños superficiales normales y desgastes mecánicos.

### RENUNCIA DE GARANTÍA

SALVO LO INDICADO EN ESTA GARANTÍA Y EN LA MEDIDA PERMITIDA POR LA LEGISLACIÓN, EZVIZ DECLINA TODO TIPO DE GARANTÍAS Y CONDICIONES EXPLÍCITAS, IMPLÍCITAS Y ESTATUTARIAS EN RELACIÓN CON EL PRODUCTO, INCLUIDAS LAS GARANTÍAS DE COMERCIABILIDAD IMPLÍCITAS Y DE ADECUACIÓN A UN PROPÓSITO ESPECÍFICO, LA DURACIÓN DE CUALQUIER GARANTÍA O CONDICIÓN IMPLÍCITA APLICABLE A LA DURACIÓN DE ESTA GARANTÍA, LA SEGURIDAD DEL PRODUCTO, O LA DISPONIBILIDAD Y FIABILIDAD DE LA INFORMACIÓN DEL PRODUCTO.

NOTA: ALGUNAS REGIONES O JURISDICCIONES NO PERMITEN LIMITACIONES SOBRE LA DURACIÓN DE LA GARANTÍA IMPLÍCITA, DE MODO QUE LAS LIMITACIONES ANTERIORES PODRÍAN NO APLICARSE A USTED.

### LIMITACIÓN DE DAÑOS

EN NINGÚN CASO EZVIZ SERÁ RESPONSABLE POR NINGÚN DAÑO INDIRECTO, RELACIONADO, EJEMPLAR O ESPECIAL, INCLUIDOS LOS DAÑOS POR PÉRDIDA DE DATOS O PÉRDIDA DE BENEFICIOS, QUE SURJA O ESTÉ RELACIONADO CON ESTA GARANTÍA O EL PRODUCTO, Y LA RESPONSABILIDAD MÁXIMA DE EZVIZ RESULTANTE O RELACIONADA CON ESTA GARANTÍA O EL PRODUCTO NO SUPERARÁ LA CANTIDAD PAGADA POR EL PRODUCTO POR EL COMPRADOR ORIGINAL.

NOTA: ALGUNAS REGIONES O JURISDICCIONES NO PERMITEN LA EXCLUSIÓN O LIMITACIÓN DE DAÑOS SECUNDARIOS O INDIRECTOS, DE MODO QUE LAS LIMITACIONES Y EXCLUSIONES ANTERIORES PODRÍAN NO APLICARSE A USTED.

### LIMITACIÓN DE RESPONSABILIDAD

TODA LA INFORMACIÓN DEL PRODUCTO SE LE PROPORCIONA PARA SU COMODIDAD "COMO ESTÁ" Y "SEGÚN DISPONIBILIDAD". EZVIZ NO ASEGURA NI GARANTIZA QUE LA INFORMACIÓN DEL PRODUCTO ESTÉ DISPONIBLE O SEA EXACTA Y FIABLE O QUE LA INFORMACIÓN DEL PRODUCTO O USO DEL PRODUCTO SEA SEGURO EN SU HOGAR. USTED UTILIZARÁ LA INFORMACIÓN DEL PRODUCTO Y EL PRODUCTO POR SU PROPIA CUENTA Y RIESGO. SOLO USTED (Y EZVIZ DECLINA) SERÁ RESPONSABLE DE CUALQUIER OBLIGACIÓN, DAÑO O PÉRDIDA, INCLUYENDO LA INSTALACIÓN ELÉCTRICA, MUEBLES, ELECTRICIDAD, HOGAR, PRODUCTO, PERIFÉRICOS DEL PRODUCTO, ORDENADOR, DISPOSITIVO MÓVIL, Y CUALQUIER OTRO ELEMENTO Y MASCOTAS, RESULTANTES DE LA UTILIZACIÓN DEL PRODUCTO O LA INFORMACIÓN DEL PRODUCTO POR SU PARTE. LA INFORMACIÓN DEL PRODUCTO PROPORCIONADA POR EZVIZ NO TIENE POR OBJETO SUSTITUIR OTROS MÉTODOS DIRECTOS DE OBTENER LA INFORMACIÓN. POR EJEMPLO, UNA NOTIFICACIÓN PROPORCIONADA MEDIANTE EL PRODUCTO NO TIENE POR OBJETO SUSTITUIR LAS INDICACIONES AUDIBLES Y VISIBLES DEL HOGAR Y DEL PRODUCTO, NI TAMPOCO UN SERVICIO DE CONTROL DE TERCEROS.

No dude en ponerse en contacto con su vendedor o con nuestro Servicio al Cliente si tiene alguna duda.

## ОГРАНИЧЕННАЯ ГАРАНТИЯ

Благодарим Вас за покупку продукции EZVIZ (Hangzhou EZVIZ Software Co., Ltd.). Эта ограниченная гарантия («гарантия») дает Вам как покупателю продукта EZVIZ определенные юридические права. Вы также можете иметь другие юридические права, которые определяются законами государства, провинции или юрисдикцией. Данная гарантия распространяется только на первоначального покупателя продукта. Термин «первоначальный покупатель» означает любого потребителя, купившего продукт EZVIZ у авторизованного продавца. Отказ от ответственности, исключения и ограничения ответственности в соответствии с данной гарантией не действительны в случае, если они противоречат действующему законодательству. Ни дистрибьютор, ни дилер, ни агент, ни сотрудник не имеют права вносить какие-либо изменения или дополнения к данной гарантии.

На Ваш продукт EZVIZ дается гарантия на дефекты материалов и изготовления сроком на 1 (один) год с момента покупки или на более длительный период, согласно законодательству государства, где продается этот продукт, при условии правильного использования в соответствии с руководством пользователя.

Вы можете запросить гарантийное обслуживание, обратившись в нашу службу поддержки.

В случае неисправности продуктов EZVIZ, на которые распространяется гарантия, компания EZVIZ провозмест по своему выбору (i) бесплатный ремонт или замену продукта; (ii) обмен продукта на функционально эквивалентный; (iii) возврат первоначальной стоимости при условии, что Вы предоставите оригинал или копию чека, краткое описание неисправности, а также вернете продукт в его оригинальной упаковке. На усмотрение компании EZVIZ может производиться ремонт или замена на новый или отремонтированный в заводских условиях продукт или его компонент. Данная гарантия не распространяется на почтовые расходы, страховку и любые другие непредвиденные расходы, понесенные Вами в связи с возвратом продукта.

За исключением случаев, запрещенных действующим законодательством, этот документ является Вашим единственным и исключительным средством судебной защиты в случае нарушения Ваших прав, закрепленных в данной гарантии. К любому продукту, который был отремонтирован или заменен по данной гарантии, применимы гарантийные условия в течение 90 (девяноста) дней с момента поставки или оставшегося первоначального гарантийного срока.

Данная гарантия не применяется и является недействительной:

- В случае подачи заявки на гарантийный ремонт по истечении гарантийного срока или отсутствия доказательства факта покупки.
- В случае неисправностей, дефектов или поломок, вызванных или вытекающих из подтвержденного воздействия, неправильного использования, постороннего вмешательства, нарушения инструкций по эксплуатации; при неправильном напряжении сети, аварии, утере, краже, пожаре, наводнении или иных стихийных бедствиях, повреждении во время транспортировки или ущербе, нанесенным в результате ремонта, выполненного неуполномоченными лицами.
- В отношении любых расходных частей, таких как батарейки, когда неисправность происходит из-за естественного старения продукта.
- При косметических повреждениях, в том числе при царапинах, вмятинах и сломанном пластике на порта.
- В отношении любого программного обеспечения, даже если оно было упаковано или продано вместе с оборудованием EZVIZ.
- В отношении любых других повреждений, не связанных с дефектами материала или изготовления.
- В отношении плановой чистки, нормального косметического и механического износа.

### ОТКАЗ ОТ ГАРАНТИИ

ЗА ИСКЛЮЧЕНИЕМ СЛУЧАЕВ, УКАЗАННЫХ ВЫШЕ В ДАННОЙ ГАРАНТИИ, И В МАКСИМАЛЬНОЙ СТЕПЕНИ, ДОПУСКАЕМОЙ ПРИМЕНИМЫМ ЗАКОНОДАТЕЛЬСТВОМ, КОМПАНИЯ EZVIZ ОТКАЗЫВАЕТСЯ ОТ ВСЕХ ЯВНЫХ, ПОДРАЗУМЕВАЕМЫХ И НОРМАТИВНЫХ ГАРАНТИЙ И УСЛОВИЙ В ОТНОШЕНИИ ПРОДУКТА, ВКЛЮЧАЯ ПОДРАЗУМЕВАЕМЫЕ ГАРАНТИИ ТОВАРНОГО КАЧЕСТВА ПРОДУКТА И ЕГО ПРИГОДНОСТИ ДЛЯ ОПРЕДЕЛЕННОЙ ЦЕЛИ, ДЛИТЕЛЬНОСТИ ЛЮБЫХ ПРИМЕНИМЫХ ПОДРАЗУМЕВАЕМЫХ ГАРАНТИЙ ИЛИ УСЛОВИЯ СРОКА ДЕЙСТВИЯ ДАННОЙ ГАРАНТИИ, БЕЗОПАСНОСТЬ ПРОДУКТА, НАЛИЧИЕ И ДОСТОВЕРНОСТЬ ИНФОРМАЦИИ О ПРОДУКЦИИ.

ПРИМЕЧАНИЕ: НЕКОТОРЫЕ ГОСУДАРСТВА ИЛИ ЮРИСДИКЦИИ НЕ ДОПУСКАЮТ ОГРАНИЧЕНИЯ СРОКА ДЕЙСТВИЯ ПОДРАЗУМЕВАЕМОЙ ОГРАНИЧЕННОЙ ГАРАНТИИ, ПОЭТОМУ ВЫШЕУКАЗАННОЕ ОГРАНИЧЕНИЕ МОЖЕТ НЕ РАСПРОСТРАНЯТЬСЯ НА ВАС.

### ОГРАНИЧЕНИЕ УЩЕРБА

НИ ПРИ КАКИХ ОБСТОЯТЕЛЬСТВАХ КОМПАНИЯ EZVIZ НЕ НЕСЕТ ОТВЕТСТВЕННОСТИ ЗА ЛЮБЫЕ КОСВЕННЫЕ, СЛУЧАЙНЫЕ, ШТРАФНЫЕ ИЛИ СПЕЦИАЛЬНЫЕ УБЫТКИ, ВКЛЮЧАЯ УЩЕРБ В СВЯЗИ С ПОТЕРЕЙ ДАННЫХ ИЛИ ПОТЕРЕЙ ПРИБЫЛИ, ВОЗНИКАЮЩЕЙ ИЗ ИЛИ В СВЯЗИ С ДАННОЙ ГАРАНТИЕЙ ИЛИ ИСПОЛЬЗОВАНИЕМ ПРОДУКТА. СОВОКУПНАЯ ОТВЕТСТВЕННОСТЬ КОМПАНИИ EZVIZ, ВЫТЕКАЮЩАЯ ИЗ ИЛИ В СВЯЗИ С УСЛОВИЯМИ ДАННОЙ ГАРАНТИИ ИЛИ ИСПОЛЬЗОВАНИЕМ ПРОДУКТА, НЕ ПРЕВЫСИТ СУММУ, ФАКТИЧЕСКИ УПЛАЧЕННУЮ ЗА ПРОДУКТ ПЕРВОНАЧАЛЬНЫМ ПОКУПАТЕЛЕМ.

ПРИМЕЧАНИЕ: НЕКОТОРЫЕ ГОСУДАРСТВА ИЛИ ЮРИСДИКЦИИ НЕ ДОПУСКАЮТ ИСКЛЮЧЕНИЯ ИЛИ ОГРАНИЧЕНИЯ ОТВЕТСТВЕННОСТИ ЗА СЛУЧАЙНЫЙ ИЛИ КОСВЕННЫЙ УЩЕРБ, ПОЭТОМУ ВЫШЕУКАЗАННОЕ ОГРАНИЧЕНИЕ МОЖЕТ НЕ РАСПРОСТРАНЯТЬСЯ НА ВАС.

### ПРЕДЕЛЫ ОТВЕТСТВЕННОСТИ

ВСЕ СВЕДЕНИЯ И ИНФОРМАЦИЯ О ПРОДУКТЕ ПРИВОДЯТСЯ ДЛЯ ВАШЕГО УДОБСТВА В ФОРМАТЕ «КАК ЕСТЬ» И «КАК ДОСТУПНО». КОМПАНИЯ EZVIZ НЕ ЗАЯВЛЯЕТ И НЕ ГАРАНТИРУЕТ, ЧТО СВЕДЕНИЯ И ИНФОРМАЦИЯ О ПРОДУКТЕ БУДУТ ДОСТУПНЫ, ТОЧНЫ И НАДЕЖНЫ ИЛИ ЧТО СВЕДЕНИЯ И ИНФОРМАЦИЯ О ПРОДУКТЕ ИЛИ ЕГО ИСПОЛЬЗОВАНИЕ ОБЕСПЕЧИТ БЕЗОПАСНОСТЬ В ВАШЕМ ДОМЕ. ВЫ ИСПОЛЬЗУЕТЕ ВСЕ СВЕДЕНИЯ И ИНФОРМАЦИЮ О ПРОДУКТЕ, А ТАКЖЕ САМ ПРОДУКТ ПО СОБСТВЕННОМУ УСМОТРЕНИЮ И НА СВОЙ РИСК. ВЫ НЕСЕТЕ ПОЛНУЮ ОТВЕТСТВЕННОСТЬ (КОМПАНИЯ EZVIZ НЕ НЕСЕТ ОТВЕТСТВЕННОСТИ) ЗА ВСЕ ВОЗМОЖНЫЕ УБЫТКИ, ОБЯЗАТЕЛЬСТВА ИЛИ УЩЕРБ, ПРИЧИНЕННЫЕ В ТОМ ЧИСЛЕ ПРОВОДКЕ, ОСВЕТИТЕЛЬНОМУ ОБОРУДОВАНИЮ, ЭЛЕКТРОСИСТЕМЕ, ДОМУ, ПРОДУКТУ, ПЕРИФЕРИЙНЫМ УСТРОЙСТВАМ ПРОДУКТА, КОМПЬЮТЕРУ, МОБИЛЬНЫМ УСТРОЙСТВАМ И ВСЕМ ДРУГИМ ПРЕДМЕТАМ, ДОМАШНИМ ЖИВОТНЫМ, КОТОРЫЕ БЫЛИ ПОЛУЧЕНЫ В РЕЗУЛЬТАТЕ ИСПОЛЬЗОВАНИЯ СВЕДЕНИЙ И ИНФОРМАЦИИ О ПРОДУКТЕ, А ТАКЖЕ САМОГО ПРОДУКТА. СВЕДЕНИЯ И ИНФОРМАЦИЯ О ПРОДУКТЕ, ПРЕДОСТАВЛЯЕМЫЕ КОМПАНИЕЙ, НЕ МОГУТ СЛУЖИТЬ ЗАМЕНОЙ ПРЯМЫМ СПОСОБОМ ПОЛУЧЕНИЯ ИНФОРМАЦИИ. К ПРИМЕРУ, НИ ДЛЯ ПОЛЬЗОВАТЕЛЯ, НИ ДЛЯ СТОРОННЕЙ СЛУЖБЫ НАБЛЮДЕНИЯ УВЕДОМЛЕНИЕ, ОТПРАВЛЯЕМОЕ ПОСРЕДСТВОМ ПРОДУКТА, НЕ МОЖЕТ СЛУЖИТЬ ЗАМЕНОЙ ЗВУКОВЫМ И ВИЗУАЛЬНЫМ СИГНАЛАМ, ИСХОДЯЩИМ ОТ ДОМА И САМОГО ПРОДУКТА.

При возникновении любых вопросов обращайтесь к продавцу или в нашу службу поддержки.

## SINIRLI GARANTI

Hangzhou EZVIZ Software Co., Ltd. ("EZVIZ") ürünlerini satın aldığınız için teşekkür ederiz. Bu sınırlı garanti ("garanti") size, EZVIZ ürününün orijinal alıcısına, belirli yasal haklar vermektedir. Ayrıca eyalet, şehir veya hükümete göre değişen başka yasal haklarınız da olabilir. Bu garanti yalnızca ürünün orijinal alıcısı için geçerlidir. "Orijinal alıcı" EZVIZ ürününü yetkili satıcıdan satın alan herhangi bir tüketici anlamına gelir. Bu garanti kapsamında sorumluluk reddi, istisnalar ve sorumluluk sınırlamaları, geçerli yasaların yasakladığı ölçüde geçerli olmayacaktır. Bu garantide herhangi bir değişiklik, uzatma veya ekleme yapma konusunda hiçbir distribütör, satıcı, temsilci veya çalışan yetkili değildir.

EZVIZ ürününüz, satın alma tarihinden itibaren malzeme ve işçilik hatalarına karşı kullanım kılavuzuna uygun normal bir şekilde kullanıldığında bir (1) yıl veya bu ürünün satıldığı ülke veya eyalette yasalarn gerektirdiği daha uzun bir süre garanti kapsamındadır.

Müşteri Hizmetlerimizle irtibata geçerek garanti hizmeti talep edebilirsiniz.

Garanti kapsamındaki tüm kusurlu EZVIZ ürünleri için EZVIZ kendi tercihinine bağlı olarak (i) ürününüzü ücretsiz olarak onaracak veya değiştirecek, (ii) ürününüzü işlevsel olarak eşdeğer bir ürünle değiştirecek veya (iii) orijinal satın alma makbuzunu veya kopyasını, kusurun kısa bir açıklamasını ve orijinal ambalajında ürünü iade etmeniz koşuluyla, orijinal satın alma fiyatını iade edecektir. EZVIZ'in tamamen kendi takdirine bağlı olarak tamir veya değiştirme yeni veya yenilenmiş bir ürün veya bileşenlerle yapılabilir. Bu garanti, nakliye bedelini, sigortayı veya ürünün iadesinde tarafınızdan yapılan diğer olası masrafları kapsamaz.

Bu, geçerli yasaların yasakladığı durumlar dışında, bu garantinin ihlalinin tek ve münhasır çözümüdür. Bu garanti kapsamında onarılmış veya değiştirilmiş olan herhangi bir ürün, teslim tarihinden itibaren doksan (90) gün veya geri kalan orijinal garanti süresince bu garantinin koşullarına tabidir.

Bu garanti aşağıdaki durumlarda geçerli değildir ve hükümsüzdür:

- Garanti talebinin garanti süresi dışında yapılması veya satın alma belgesinin sağlanmaması durumunda;
- Hatalı kullanım, darbe, kurcalama sonucu meydana gelen herhangi bir kusurlu çalışma, bozukluk veya arızada; geçerli kullanım kılavuzuna aykırı herhangi bir kullanımda, hatalı güç hattı voltajında, kaza, kayıp, çalınma, yangın, sel veya diğer doğal afetlerde, kargo hasarında veya yetkisiz personel tarafından yapılan onarımlardan kaynaklanan hasarlarda,
- Arızanın, ürünün normal eskimesine bağlı olduğu pil gibi sarf malzemesi parçalarında;
- Arızanın, ürünün normal eskimesine bağlı olduğu ancak bunlarla sınırlı olmayan üzere bağlantı noktalarının üzerindeki kozmetik hasarlarda;
- EZVIZ donanımıyla birlikte paketlenmiş veya satılmış olsa bile herhangi bir yazılımda;
- Malzeme veya işçilik kusurları hariç diğer zararlarda;
- Rutin temizlik, normal yüzeysel ve mekanik aşınma ve yıpranmada.

### GARANTİNİN REDDİ

BU GARANTİDE YUKARIDA BELİRTİLEN VE GEÇERLİ YASALARDA BELİRTİLEN MAKSİMUM ÖLÇÜLER DİŞİNDE, BELİRLİ BİR AMAÇ İÇİN SATILABİLİRLİK VE UYGUNLUK ZİMİNİ GARANTİLERİ, BU GARANTİNİN SÜRESİ İÇİN GEÇERLİ ZİMİNİ GARANTİ VEYA KOŞULLARIN SÜRESİ, ÜRÜN GÜVENLİĞİ, ÜRÜN BİLGİSİ VEYA VERİLERİNİN KULLANILABİLİRLİĞİ VE GÜVENİLİRLİĞİ DE DAHİL, EZVİZ, ÜRÜNLE İLGİLİ TÜM AÇIK, ZİMİNİ VE YASAL GARANTİLERİNİ VE KOŞULLARINI REDDEDER.

NOT: BAZI DEVLETLER VEYA HÜKÜMETLER, ZİMİNİ BİR GARANTİNİN NE KADAR SÜRDÜĞÜ KONUSUNDA SINIRLAMALARA İZİN VERMEZ, BU NEDENLE YUKARIDAKİ SINIRLAMA SİZİN İÇİN GEÇERLİ OLMAYABİLİR.

### HASAR SINIRLAMASI

EZVİZ HİÇBİR DURUMDA, BU GARANTİ VEYA ÜRÜNDENDEN KAYNAKLANAN KAYIP VERİLER VEYA KAYIP KÂRLAR İÇİN HERHANGİ BİR HASAR DA DAHİL OLMAK ÜZERE HİÇBİR SONUÇSAL, TESADÜFİ, ÖRNEK TEŞKİL EDEN VEYA ÖZEL ZARARLARDAN SORUMLU OLMAYACAKTIR VE EZVİZİN BU GARANTİ VEYA ÜRÜNDENDEN KAYNAKLANAN VEYA BUNLARLA İLGİLİ TOPLAM KÜMÜLATİF SORUMLULUĞU ORJİNAL ALICI TARAFINDAN ÜRÜN İÇİN ÖDENEN TUTARI AŞMAYACAKTIR.

NOT: BAZI DEVLETLER VEYA HÜKÜMETLER, KAZA VEYA DOLAYLI ZARARLARIN HARIÇ TUTULMASI VEYA SINIRLAMASINA İZİN VERMEMEKTEDİR, YUKARIDAKİ SINIRLAMALAR VEYA HARIÇ TUTULMALAR SİZİN İÇİN GEÇERLİ OLMAYABİLİR.

### SORUMLULUK SINIRLAMASI

TÜM ÜRÜN BİLGİLERİ VE VERİLER, "OLDUĞU GİBİ" VE "MEVCUT OLDUĞU KADAR " SİZE KOLAYLIK SAĞLAMAK İÇİNDİR." EZVİZ, ÜRÜN BİLGİLERİNİN VE VERİLERİN MEVCUT, DOĞRU VEYA GÜVENİLİR OLACAĞINI VEYA ÜRÜNÜN ÜRÜN BİLGİLERİNİN VE VERİLERİNİN VEYA KULLANIMININ EVİNİZDE GÜVENLİK SAĞLAYACAĞINI İFADE ETMEZ, GÜVENCE VERMEZ VEYA GARANTİ ETMEZ. TÜM ÜRÜN BİLGİLERİNİ, VERİLERİNİ VE ÜRÜNÜ KENDİ TAKDİRİNİZLE VE RİSKİ KABUL EDEREK KULLANIRSINIZ. ÜRÜN BİLGİLERİ, VERİ VEYA ÜRÜN KULLANIMINIZDAN KAYNAKLANAN KABLÖLAMA, MÜŞTEMİLAT, ELEKTRİK, EV, ÜRÜN, ÜRÜN ÇEVRE BİRİMLERİ, BİLGİSAYAR, MOBİL CİHAZ VE DİĞER TÜM ÖGELER VE EVCİL HAYVANLAR DA DAHİL TÜM KAYIP, SORUMLULUK VEYA HASARLARDAN (VE EZVİZ FERAGATLERİNDEN) SORUMLU OLMAYACAKSINIZ. EZVİZ TARAFINDAN SAĞLANAN ÜRÜN BİLGİLERİ VE VERİLER, BİLGİLERİN DOĞRUDAN ELDE EDİLMESİ İÇİN BİR TEMSİLCİ OLARAK TASARLANMAMIŞTIR. ÖRNEĞİN, ÜRÜN ARACILIĞIYLA SAĞLANAN BİR BİLDİRİM, EVDE VE ÜRÜNDE SESLİ VE GÖRÜNÜR GÖSTERME TEMSİLCİSİ VEYA ÜÇÜNCÜ PARTİ İZLEME HİZMETİ İÇİN TASARLANMAMIŞTIR.

Lütfen herhangi bir sorunuz olduğunda satıcınızla veya Müşteri Hizmetlerimizle iletişime geçmekten çekinmeyin.

## ضمان محدود

شكراً لك لشراء منتجات Hangzhou EZVIZ Software Co., Ltd. ("EZVIZ"). يمنحك هذا الضمان المحدود (يُشار إليه باسم "الضمان") بصفتك المشتري الأصلي لمنتج EZVIZ، حقوقاً قانونية محددة. ويمكنك أن تستمتع أيضاً بالحقوق القانونية الأخرى التي تختلف حسب الولاية أو المقاطعة أو الولاية القضائية. وينطبق هذا الضمان على المشتري الأصلي للمنتج فقط. يُقصد بـ "المشتري الأصلي" أي مستهلك اشترى منتج EZVIZ من بائع مخول. لن ينطبق إخلاء المسؤولية والاستثناءات وتحديد المسؤولية بموجب هذا الضمان إلى الحد الذي يحظره القانون المعمول به. لا يحق لأي موزع أو بائع أو وكيل أو موظف إجراء أي تعديل أو تمديد أو إضافة لهذا الضمان. يتم ضمان منتج EZVIZ لمدة عام واحد بدءاً من تاريخ الشراء ضد العيوب في المواد ودقة الصنع ولمدة أطول قد ينص عليها القانون في الدولة أو الولاية التي يُباع بها هذا المنتج. عند استخدامه بشكل طبيعي وفقاً لدليل المستخدم.

يمكنك طلب خدمة الضمان عن طريق الاتصال بخدمة العملاء. بالنسبة إلى أي منتجات EZVIZ بموجب الضمان، ستقوم EZVIZ حسبما يترأى لها، بما يلي (1) إصلاح المنتج أو استبداله مجاناً؛ أو (2) تبديل المنتج بمنتج مكافئ يعمل أو (3) إرجاع ثمن الشراء الأصلي، شريطة أن تقدم إيصال الشراء الأصلي أو نسخة منه ووصفاً موجزاً للعيوب وأن تعيد المنتج في عبوته الأصلية. وفق تقدير EZVIZ وسعدها، يمكن إجراء الإصلاح أو الاستبدال بمنتج جديد أو مجدد أو بمكونات جديدة أو مبددة. لا يغطي هذا الضمان تكلفة الشحن أو التأمين أو أي تكاليف عارضة تتكبدها عند إرجاع المنتج.

ما لم يحظر ذلك القانون المعمول به، فإن هذا هو التعويض الوحيد والحصري لك عن خرق هذا الضمان. تستمثل شروط هذا الضمان أي منتج تم إصلاحه أو استبداله بموجب هذا الضمان لمدة تسعين (90) يوماً من تاريخ التسليم أو لفترة الضمان الأصلي المتبقية.

لا يسري هذا الضمان ويُعد لاغياً في الحالات التالية:

- إذا تمت المطالبة بالضمان بعد انتهاء مدة الضمان أو إذا لم يتم تقديم حجة الشراء.
- في حالة وجود أي عيب أو خلل أو عطل ناتج عن صدمة أو سوء استعمال أو عبث أو استخدام مخالف لدليل الإرشادات واجب التطبيق أو الجهد الكهربائي غير الصحيح للحفاظ على الطاقة الكهربائية أو حادث أو فقدان أو سرقة أو حريق أو فيضان أو القضاء والقرود أو التلف أثناء الشحن أو التلف الناتج عن إصلاحات أجراها موظفون غير معتمدين.
- في حالة وجود أي أجزاء مستهلكة بالبطاريات، حيث يكون العطل بسبب التقادم الطبيعي للمنتج.
- تلف الشكل، ويشمل على سبيل المثال لا الحصر الخدوش والانبعاجات وقطع البلاستيك المكسورة عند المنافذ.
- أي برنامج، حتى إذا كان مغلفاً أو يباع مع أجهزة EZVIZ.
- في حالة أي تلف آخر خالٍ من العيوب في المواد أو دقة الصنع.
- التنظيف الدوري وتلف وبلى الشكل والمكونات الميكانيكية العادية.

إخلاء المسؤولية عن الضمانات

باستثناء ما هو منصوص عليه أعلاه في هذا الضمان وإلى أقصى حد يسمح به القانون المعمول به، تخلي EZVIZ مسؤوليتها عن جميع الضمانات الصريحة والضمنية والقانونية والأحكام فيما يتعلق بالمنتج، بما في ذلك الضمانات الضمنية للقبالية للتسويق والملائمة لغرض خاص أو مدة أي ضمانات أو شروط ضمنية واجبة التطبيق لمدة هذا الضمان أو أمان المنتج أو توفر معلومات أو تفاصيل المنتج وموثوقيتها.

ملاحظة: لا تسمح بعض الولايات أو الدوائر القضائية بقيود على مدة استمرار الضمانات الممنوحة ضمناً، ولذلك قد لا ينطبق تحديد المسؤولية سالف الذكر عليك.

تحديد الأضرار

لن تتحمل EZVIZ بأي حال من الأحوال مسؤولية أي أضرار لاحقة أو عرضية أو تحذيرية أو خاصة بما في ذلك على سبيل المثال لا الحصر خسارة البيانات أو خسارة الأرباح، الناتجة عن أو المتعلقة بهذا الضمان أو المنتج وتعدى مسؤولية EZVIZ الإجمالية التراكمية الناتجة عن أو المتعلقة بهذا الضمان أو المنتج المبلغ المدفوع فعلياً ثمناً للمنتج من طرف المشتري الأصلي.

ملاحظة: لا تسمح بعض الولايات أو الدوائر القضائية باستثناء أو تحديد المسؤولية الخاصة بالأضرار العارضة أو اللاحقة، لذلك قد لا تنطبق حالات تحديد المسؤولية أو الاستثناء سالف الذكر عليك.

تحديد المسؤولية

تتوفر كل معلومات وبيانات المنتج لرائدك، "كما هي" و"حسب توفرها". لا تقرر EZVIZ أو تضمن توفر معلومات وبيانات المنتج أو دقتها أو موثوقيتها أو أن توفر معلومات وبيانات المنتج أو استخدام المنتج الأمان في منزلك. ويجب أن تستخدم كل معلومات وبيانات المنتج والمنتج وفقاً لتقدير الخاص وعلى مسؤوليتك الخاصة. ستتحمل وحدك المسؤولية (وتخلي EZVIZ مسؤوليتها) عن أي أو كل خسارة أو مسؤولية أو أضرار تشمل الأضرار التي تصيب الأسلاك والتريكات والكهرباء والمنزل والمنتج وملقات المنتج والكمبيوتر والهواتف المحمولة وجميع الأغراض الأخرى والحيوانات الأليفة، والتي تنجم عن استخدامك لمعلومات أو بيانات المنتج أو المنتج. ليس الغرض من معلومات وبيانات المنتج المقدمة من EZVIZ أن تحل محل الوسائل المباشرة للحصول على المعلومات. على سبيل المثال، لا يُقصد بالإخطار المقدم من خلال المنتج أن يكون بديلاً للعلامات المسموعة والمرئية في المنزل وعلى المنتج، أو لخدمة المراقبة من جهة خارجية.

رجاءً لا ترد في الاتصال بالبائع أو خدمة العملاء، إذا كانت لديك أي أسئلة.



